

Product Specification

Abundance Enterprise Co.

Original Date

1/12/2005

PN:

ZM206E



AEC[®]

Abundance Enterprise Co.

PRODUCT SPECIFICATION

CRYSTAL RESONATOR

AEC PART NUMBER / SPEC. NO:

ZM206E-32.768K-20-12.5p

CUSTOMER:



This model is ROHS/PB compliance according to the ROHS directive 2002/95/EC

It has lead in high melting temperature solder inside exempted from ROHS directive Annex Article 4(1) point 7

Production Name	Crystal Resonator
Frequency	32.768KHz
Model No	ZM206E-32.768K-20-12.5p
Issue Date	18 th Jan 2013

Address: Room 602-603, Java Commercial Centre,

128 Java Road,

North Point, Hong Kong

Homepage: <http://www.aeccrystal.com/>

Email: sales@aeccrystal.com

Telephone: (852)-28560000

Fax (852) 2561 2161

Prepared	Inspection	Approved
<i>Victor</i>	<i>Andy</i>	<i>Henkie</i>

Product Specification	Abundance Enterprise Co.	Original Date	1/12/2005
		PN:	ZM206E

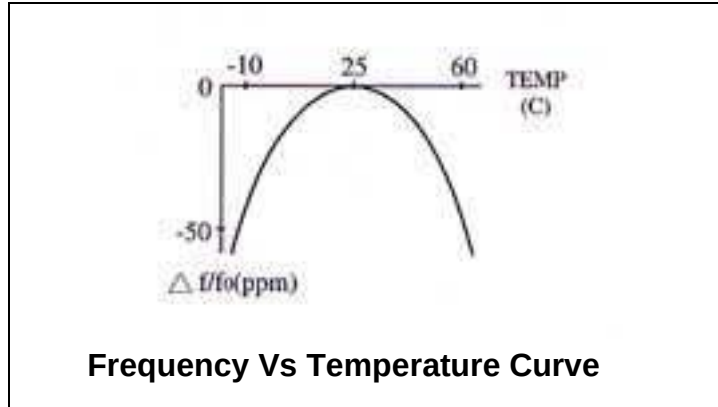
1. GENERAL PROVISION

- 1-1 Production Name: SMD Crystal Resonator
- 1-2 Holder Type: ZM206E
- 1-3 This specification relates to the crystal resonator to be supplied by Abundance Enterprise Co. (AEC).

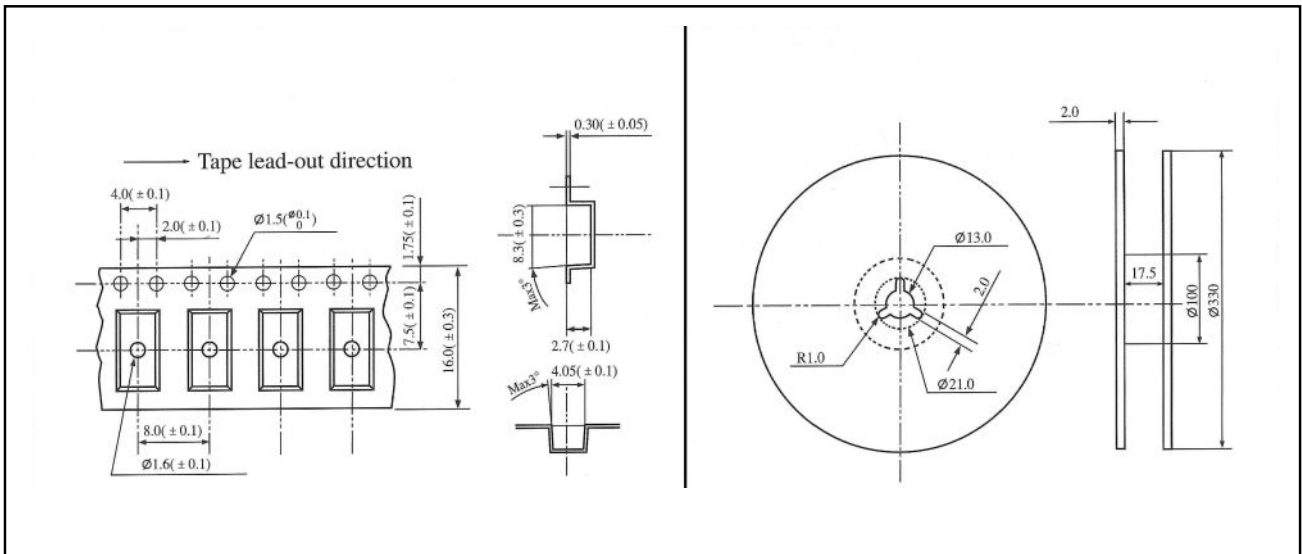
2. ELECTRICAL DATA

Items	Parameters	Condition
2-1	Frequency:	32.768Khz
2-2	Tolerance of Center Frequency:	+/- 20 ppm at 25°C
2-3	Operating Temperature Range:	-40 °C @ 85 °C
2-4	Storage Temperature Range:	-55°C @ +125°C
2-5	Equivalent Series Resistance:	50KΩ max.
2-6	Load Capacitance:	12.5 pF
2-7	Shunt Capacitance (C ₀)	1.6pF typ
2-8	Motional Capacitance (C ₁)	3.3fF typ
2-9	Drive Level:	1uW max
2-10	Aging: Less than	+/- 3 ppm per year
2-11	Insulation Resistance:	More than 500M ohms at DC 100V
2-12	Test: Measured CAN-LF ππ Network analysis.	

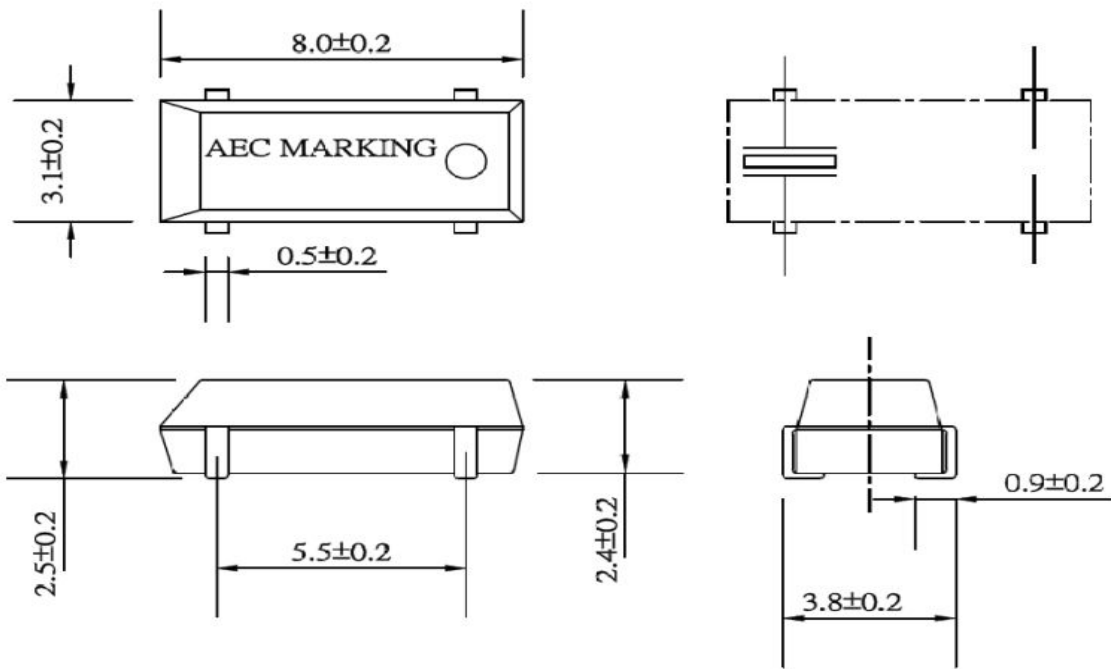
3. Frequency Characteristic



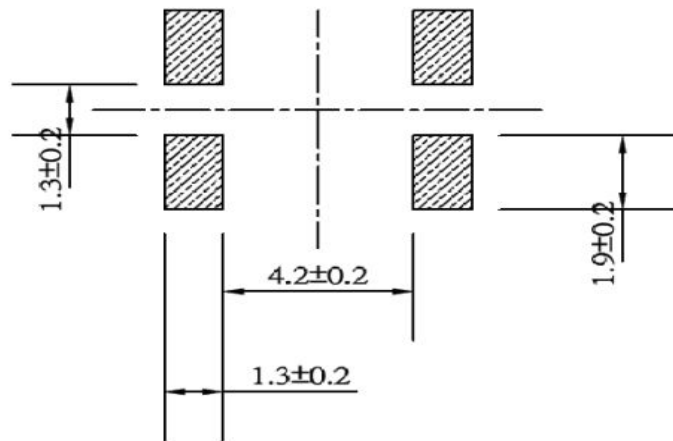
4. Packing Dimension



5. DIMENSION & LAND PATTERN



RECOMMENDED SOLDERING PATTERN



Unit: mm

<p>AEC[®] Abundance Enterprise Co.</p>	NO.	REVISED DATE	MODIFY CONTENTS		
	1	2005.12.1	ORIGINAL		
DIMENTION	mm				
SCALE		MODEL	PAD AND PRODUCT DIMENTION		
TOLERANCE	±0.2	PART NAME	ZM206E		
DRAWING NO.		APPV'D BY	CHECK BY	DRAWN BY	
ZM206E		Henkie	Andy	Teddy	

6. REFLOW SOLDERING DIAGRAM

