

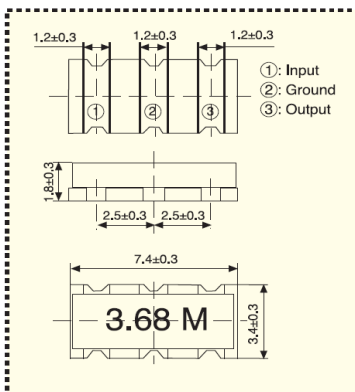
IR ZTTCC MG



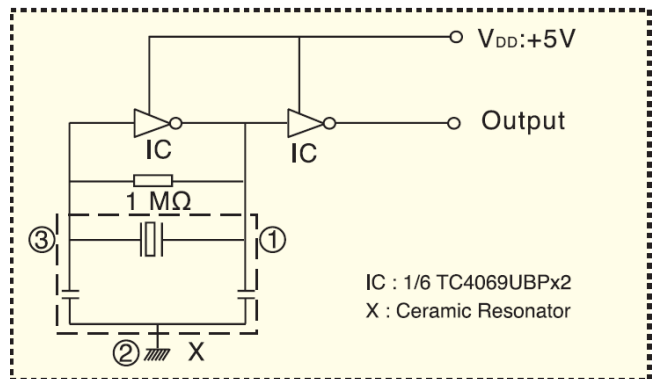
Ceramic Resonator

Item	Specification
Oscillation Frequency	1,80 ~ 8,00 MHz
Frequency Accuracy	±0,5%
Temperature Coefficient of Oscillation Frequency max	±0,3% (Oscillation Frequency drift -20°C ~+80°C)
Aging Rate max for ten years	±0,3%
Rating Voltage max	6 VDC 15Vp-p
Withstanding Voltage UR	100 DC, 1 min

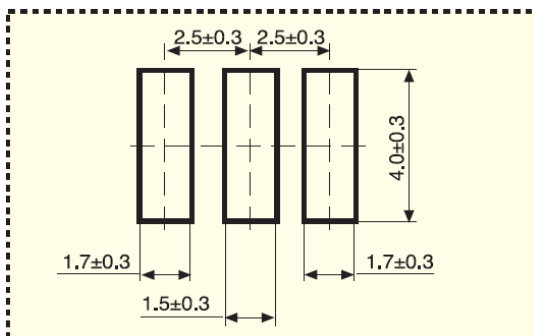
Dimension (Unit: mm)



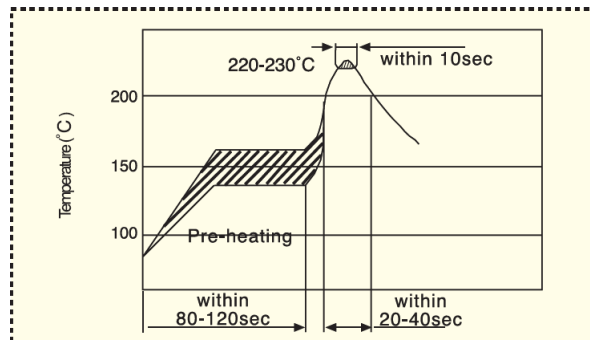
Test Circuit



Recommended Land Pattern



Recommended Reflow Soldering



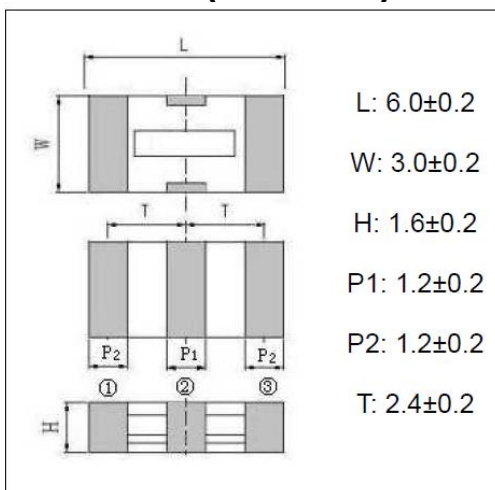
IR ZTTCP



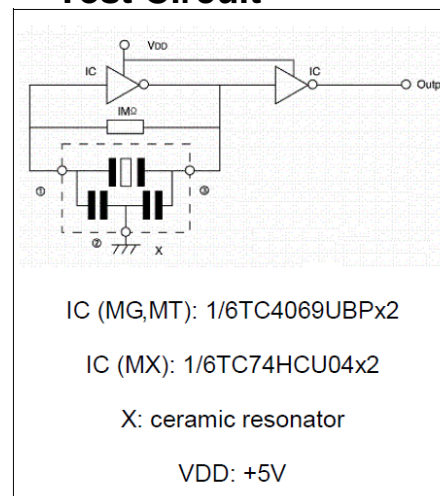
Ceramic Resonator

Item	Specification	
Oscillation Frequency	2,00 ~ 12,00 MHz	
Frequency Accuracy	±0,5%	
Temperature Coefficient of Oscillation Frequency max	±0,2% (Oscillation Frequency drift -20°C ~+80°C)	
Aging Rate max for ten years	±0,1%	
Rating Voltage max	6 VDC	15Vp-p
Withstanding Voltage UR	100 DC, 1 min	

Dimension (Unit: mm)



Test Circuit



Reflow Soldering Condition

