



# Elektrotechnik Karl-Heinz Mauz GmbH

**RMP-32SP** (Artikel-Nr. 185110)

**EKULIT**

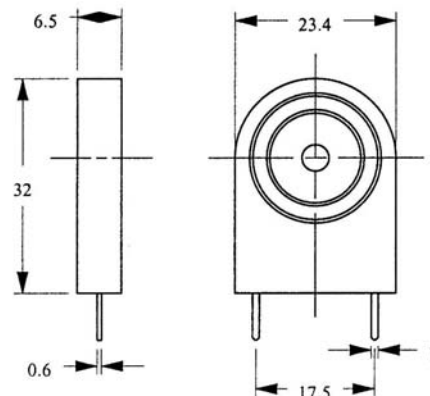
## *SPECIFICATIONS:*

TYPE	UNIT	RMP-32SP
• Min. Sound Output at 30cm	dB	85
Rated Voltage	V	12
Operating Voltage	V	3~24
Resonant Frequency	Hz	4.500±500
• Max. Current Consumption	mA	6
Tone		Continuous
Operating Temperature	°C	-20~+70
Storage Temperature	°C	-30~+80

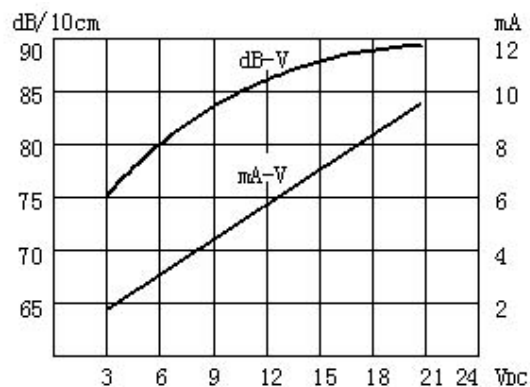
• Value applying at rated voltage

## DIMENSIONS :

(Unit: mm)



## Frequency response :



Adresse: Felix-Wankel-Str. 35 • 73760 Ostfildern/Nellingen

Tel: +49-711/3414023

Fax: +49-711/3414024

E-mail: [info@ekulit.de](mailto:info@ekulit.de) Web site: [www.EKULIT.de](http://www.EKULIT.de)