

# Elektrotechnik Karl-Heinz Mauz GmbH

**RMP-34W** (Artikel-Nr. 180115)

**EKULIT**

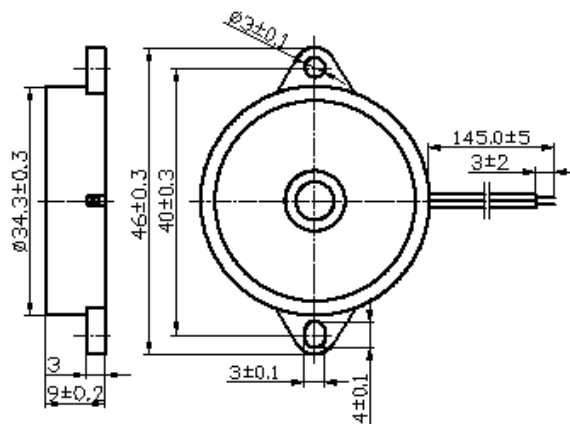
***SPECIFICATIONS:***

TYPE	UNIT	RMP-34W
• Min. Sound Output at 10cm	dB	85
Rated Voltage	V <sub>p-p</sub>	10
Operating Voltage	V <sub>p-p</sub>	1~30
Resonant Frequency	Hz	1.100±500
• Max. Current Consumption	mA	3
Capacitance at 1kHz	pF	45.000±30%
Operating Temperature	°C	-20~+60
Storage Temperature	°C	-30~+70

• Value applying at rated voltage

**DIMENSIONS :**

(Unit: mm)



**Frequency response :**

