



HITPOINT

TEL:8862-26013311

FAX:8862-26013898

NO.4 Lane 505, Zhongzheng Rd., Linkou Shiang, Taipei, Taiwan 24445 . R.O.C

Piezo Electric Buzzer PL-35A29EPD-220SQ

(RoHS)

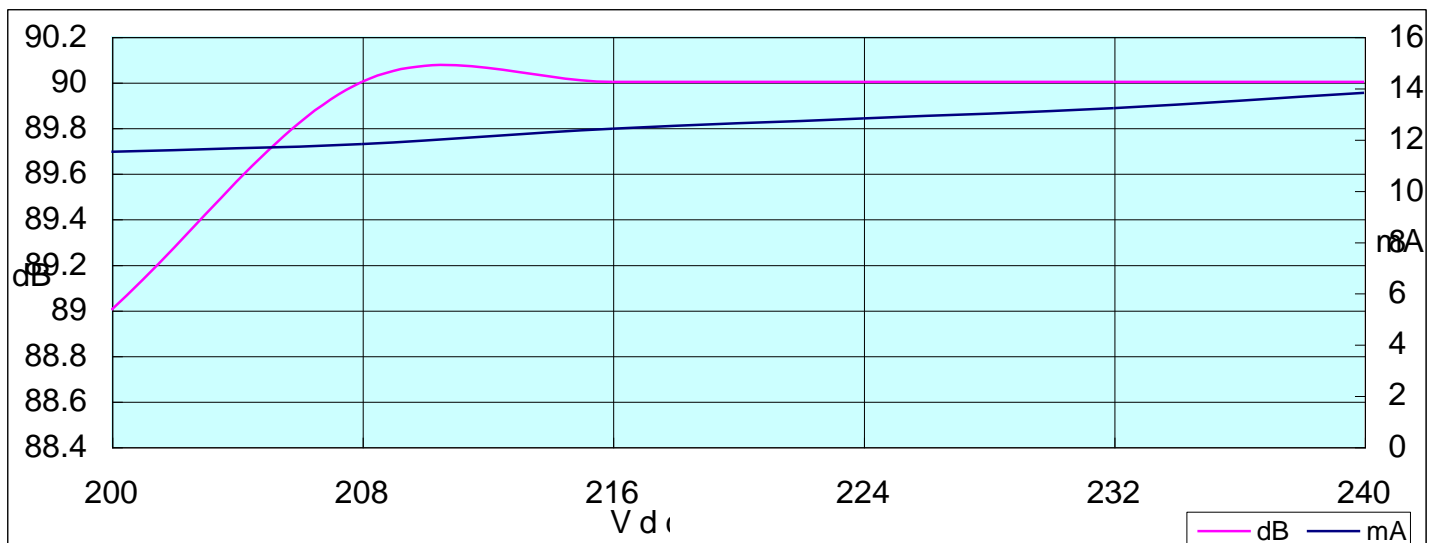
DATE:2012.11.15

1 . Electrical Characteristics

VER .:4

Oscillation Frequency (KHz)	2.9 ±0.5
Operating Voltage (Vdc/ac)	200 ~ 240(AC/DC)
Rated Voltage (Vdc/ac)	220
Current Consumption (mA/max.)	20 at Rated Voltage
Sound Pressure Level (dB/min.)	90 at 30cm at Rated Voltage
Tone/Pulse Rate (Hz)	Slow Pulse 1.2 ±20% at Rated Voltage
Operating Temperature (°C)	-20 ~ +70
Storage Temperature (°C)	-30 ~ +80

2 . Voltage/ Current / Sound Pressure





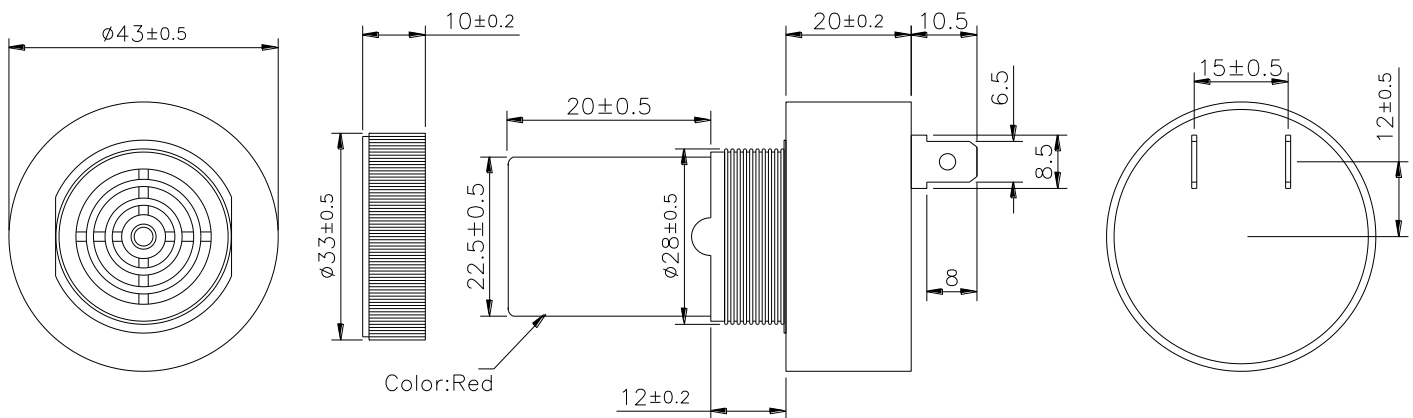
HITPOINT⁵⁰¹³³¹¹

FAX:8862-26013898

NO.4 Lane 505, Zhongzheng Rd., Linkou Shiang, Taipei, Taiwan 24445 . R.O.C

3 . Dimensions and Material

3-1 Shape



Unit : mm

3-2 Material

Housing	ABS 757 UL94HB plastic resin (Color : Black)
Leading Pin	Tin Plated Brass
Weight (Gram)	43.4



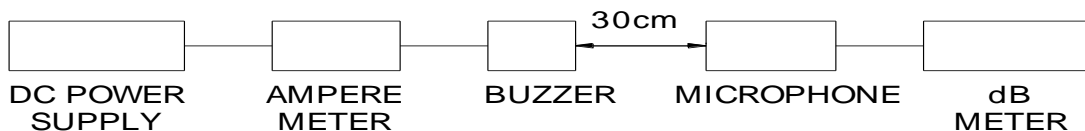
4. TESTING METHOD

. *Standard Measurement conditions*

Temperature:25±2 °C Humidity:45-60%

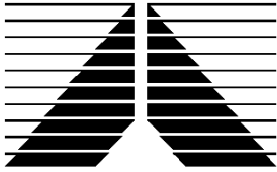
. *Acoustic Characteristics*

The oscillation frequency, current consumption and sound pressure are measured by the measuring instruments shown below.



5. RELIABILITY

ITEMS	METHOD OF TEST AND MEASUREMENTS	PERFORMANCE
<i>Coldness withstanding</i>	<i>After 98 hours of being exposed to -30 °C environment, should be returned to normal environment for 2 hours, then re-proceed to test.</i>	<i>No abnormality shall exist</i>
<i>Hotness withstanding</i>	<i>After 98 hours of being exposed to +80 °C environment, should be returned to normal environment for 2 hours, then re-proceed to test.</i>	<i>No abnormality shall exist</i>
<i>Humidity withstanding</i>	<i>After 98 hours of being exposed to 40 °C 95%RH environment in actual operation, should be returned to normal environment for 2 hours, then re-proceed to test.</i>	<i>No abnormality shall exist</i>
<i>Durability</i>	<i>Testing after 1,000 hours actual continuous operation.(at standard measurement conditions)</i>	<i>No abnormality shall exist</i>
<i>Drop withstanding</i>	<i>A natural drop from 75cm high down to the ground.</i>	<i>No abnormality shall exist</i>
<i>Vibration withstanding</i>	<i>Vibration of 2,000 cycles per minute, 2mm amplitude, applied in X, Y and Z directions for 30 minutes each.</i>	<i>No abnormality shall exist</i>



HITPOINT

TEL:8862-26013311

FAX:8862-26013898

NO.4 Lane 505, Zhongzheng Rd., Linkou Shiang, Taipei, Taiwan 24445 . R.O.C

6. PACKAGE METHOD

<1> 21pcs per box , Total 10 boxes per carton , total 210pcs carton;

Volume: L*W*H=520*335*290mm

<2>N . W . : 9.1KGS ; G . W . : 11.1KGS ;

<3>RoHS Mark