

Elektrotechnik Karl-Heinz Mauz GmbH

LSF-40M/N/G (Artikel-Nr. 110033)

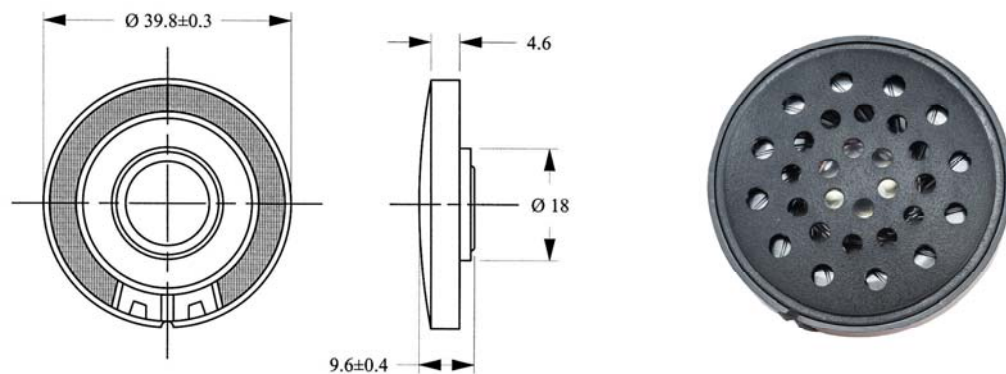
EKULIT

SPECIFICATIONS:

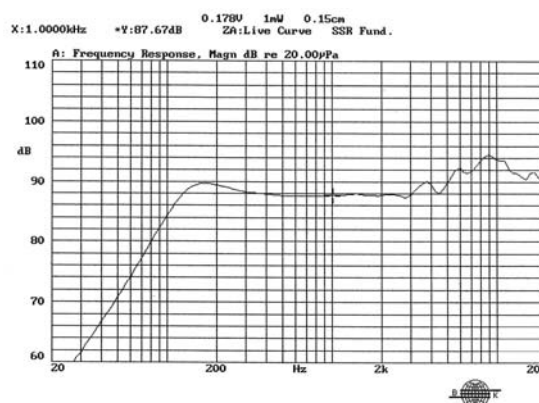
TYPE	UNIT	LSF-40M/N/G
Impedance	Ω	32±15%
Power (Nominal)	W	0.15
Power (Maximum)	W	0.25
Resonant Frequency	Hz	100±20%
Sound Pressure Level	dB	86±3
Frequency Range	Hz	fo~10.000
Operating Temperature	°C	-25~+50
Storage Temperature	°C	-25~+60

DIMENSIONS :

(Unit: mm)



Frequency response:



Adresse: **Felix-Wankel-Str. 35 • 73760 Ostfildern/Nellingen**

Tel: **+49-711/3414023**

Fax: **+49-711/3414024**

E-mail: **info@ekulit.de**

Web site: **www.EKULIT.de**