



Elektrotechnik Karl-Heinz Mauz GmbH

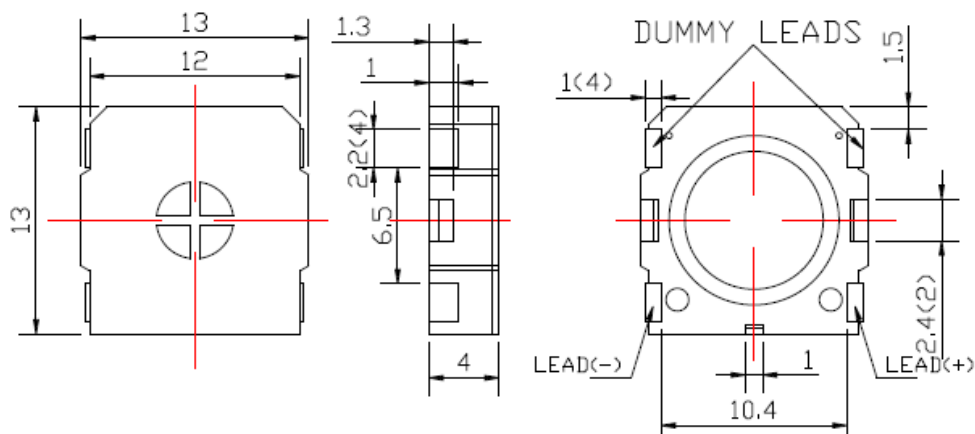
LSF-13SMD2 (Artikel-Nr. 107033SA)

EKULIT

SPECIFICATIONS:

| | | |
|----|-----------------------------|--|
| 1 | Rated Input Power | 0.7W |
| 2 | Max Input Power | 1.0W |
| 3 | Rated Impedance | 8Ω±15% |
| 4 | Sound Pressure Level S.P.L. | 88dB (0.5W/0.1m)±3dB |
| 5 | Resonance Frequency (Fo.) | 850±20%Hz |
| 6 | Frequency Range | FO~20kHz |
| 7 | Distortion | Less than 5% at 2kHz input Rated Power |
| 8 | Magnet | Rare earth permanent (SMCO) 6x1mm |
| 9 | Weight (g) | 1.1 |
| 10 | Temperature | Operating: -30~+85°C Storage: -40~+85°C |
| 11 | RoHS | Yes |

DIMENSIONS (UNIT: mm)

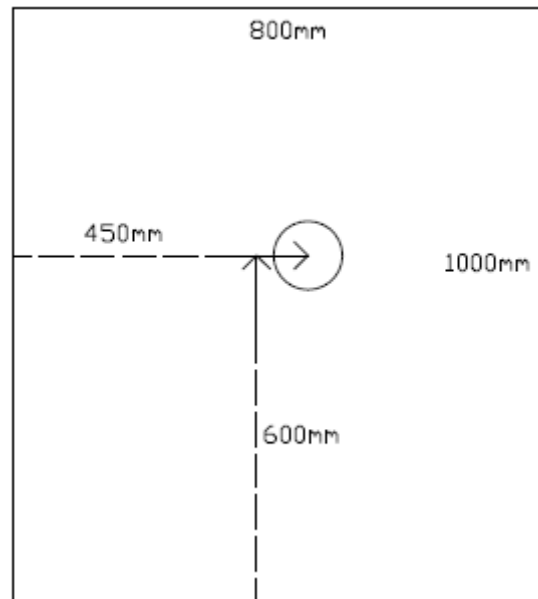




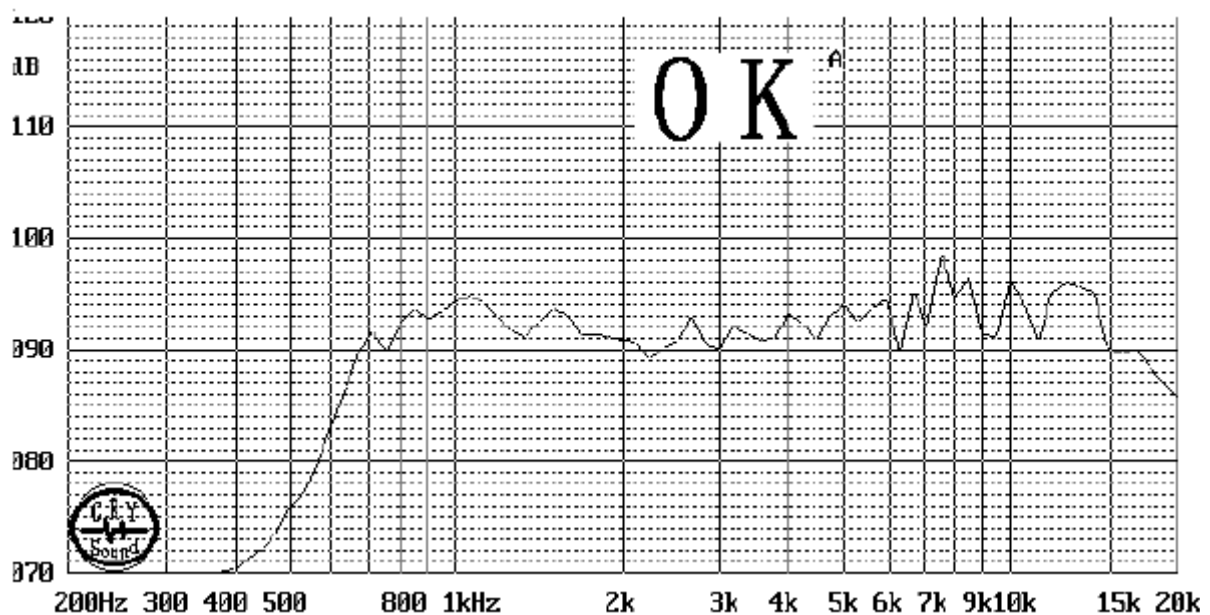
Elektrotechnik Karl-Heinz Mauz GmbH

EKULIT

MEASURING METHOD:



FREQUENCY RESPONSE:





Elektrotechnik Karl-Heinz Mauz GmbH

ENVIRONMENT TEST:

EKULIT

| ITEM | | SPECIFICATIONS |
|--|------------------------|---|
| 01 | High temp. Test | Keep 96 hours at $+85^{\circ}\text{C} \pm 3^{\circ}\text{C}$ and leave 3 hours in normal temperature and then check |
| 02 | Low temp. Test | Keep 96 hours at $-40^{\circ}\text{C} \pm 3^{\circ}\text{C}$ and leave 3 hours in normal temperature and then check |
| 03 | Humidity test | Keep 96 hours at $+40^{\circ}\text{C} \pm 3^{\circ}\text{C}$ relative humidity 92-95% and leave 3 hours in normal temperature and then checked. |
| 04 | Temp./Humidity cycle | <p>The part shall be subjected 5 cycles. One cycle shall be 12 hours and consist of;</p> <p style="text-align: center;"> 65°C $90 \sim 95 \% \text{ RH}$ 25°C 0.5hr 6hrs 0.5hr 5hrs </p> |
| 05 | Thermal cycle test. | Low temperature: $-40^{\circ}\text{C} \pm 3^{\circ}\text{C}$, temperature: $+85^{\circ}\text{C} \pm 3^{\circ}\text{C}$, cycle: 1 hour/cycle each, and then keep 5 cycles in a room. |
| 06 | Vibration | 10~55~10Hz sin-wave sweep 15min. 5G(constant) X,Y, Z 3 direction. 2 hours each, total 6 hours. |
| 07 | Fix drop test | Fix on jig. Then drop from 152cm height to the concrete floor X,y, z 6 direction. 5 times each, total 30 times. |
| 08 | Free drop test | Free drop from 100cm height to the concrete floor X,Y, Z 6 direction. 1 times each, total 6 times. |
| 09 | Load test | Rated Power White noise is applied for 96 hours |
| 10 | Max Power test | Max power 1 min. on - 2 min. off 10 cycles. |
| 11 | Terminal strength test | Capable of withstand 1kg load for 30 seconds without resulting in any damage or rejection. |
| <p>Criterion :</p> <p>After these test , the change of S.P.L shall be within $\pm 3 \text{ dB}$</p> | | |



Elektrotechnik Karl-Heinz Mauz GmbH

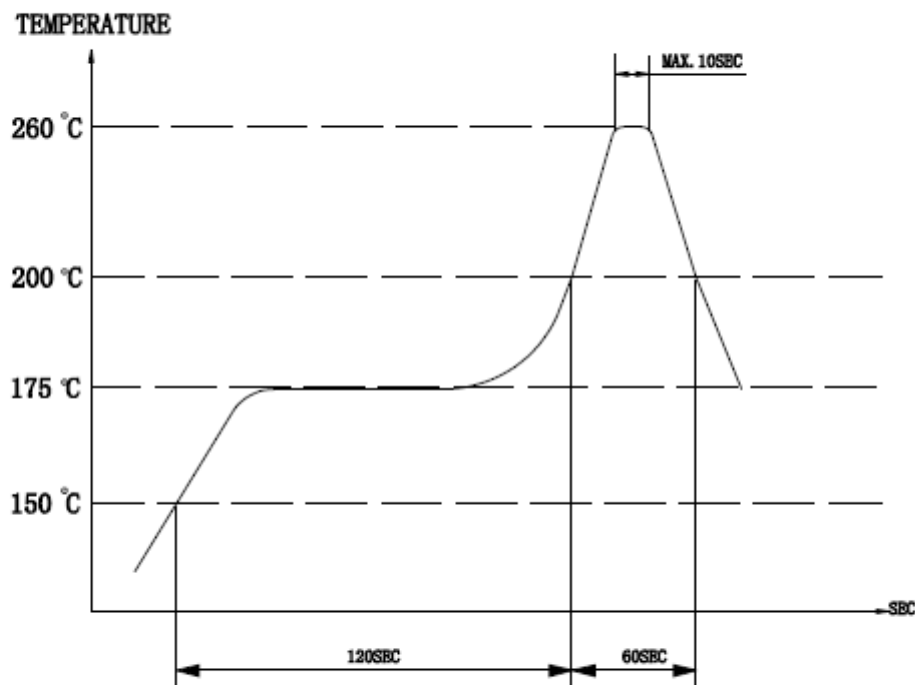
SOLDERING CONDITION:

EKULIT

(1) Recommendable reflow soldering condition is as follows

(Reflow soldering is twice)

Note: It is requested that reflow soldering should be executed after heat of product goes down to normal.



Heat resistant line

(Used when heat resistant reliability test is performed)

(2) Manual soldering

Manual soldering temperature 350° C within 5 sec.



Elektrotechnik Karl-Heinz Mauz GmbH

PACKING:

EKULIT

