



Elektrotechnik Karl-Heinz Mauz GmbH

LSM-40M/N-SR8 (Artikel-Nr. 115091SR)

EKULIT

SPECIFICATIONS:

No.	Item	Description	test condition
1	RATED IMPEDANCE	$8\Omega \pm 15\%$	2K Hz
2	RATED RESONANT FREQUENCY (f0)-SPEAKER	$300 \pm 20\%$ Hz (LMS)	1.0 V
3	RATED RESONANT FREQUENCY (fb)-BOX	$\pm 20\%$ Hz	1.0 V
4	RATED CHARACTERISTIC SENSITIVITY GRADE	86 ± 3 dB (At 600, 800, 1000, 1200 Hz Average)	2.83V/ 0.5m
5	RATED FREQUENCY RANGE	$f_0 \sim 20$ K (SPL-10dB)	2.83V/ 0.5m
6	RATED HARMONIC DISTORTION	$< 5\%$ At 1000 Hz	2.83V/ 0.5m
7	APPEARANCE NORMAL	@ A.T. 15~35°C, H.M. 25~75%, B.P. 86~106kPa	
8	BUZZES & RATTLES NO APPEARANCE	@ 0.3m with SIN wave from 100 Hz to 2KHz input/rated noise power	2.83V
9	RATED NOISE POWER	1.0W @ Pink noise Power operating continuously for 96 hours	2.83V
10	RATED LONG-TERM MAXIMUM POWER	1.5W @ Simulant program signal for 1 min on & 2 min off, cycling for 10 times	3.46V
11	HIGH-TEMPERATURE	$+85 \pm 2^\circ\text{C}$, Humidity Random for 96 hours,	
12	STATIC HUMIDITY/TEMPERATURE	$40 \pm 2^\circ\text{C}$, H.M. $93 \pm 3\%$ depositing for 96 hours,	
13	LOW-TEMPERATURE	$-40 \pm 2^\circ\text{C}$, Humidity Random for 96 hours,	

Adresse: Felix-Wankel-Str. 35 • 73760 Ostfildern/Nellingen

Tel: +49-711/3414023

Fax: +49-711/3414024

E-mail: info@ekulit.de Web site: www.EKULIT.de

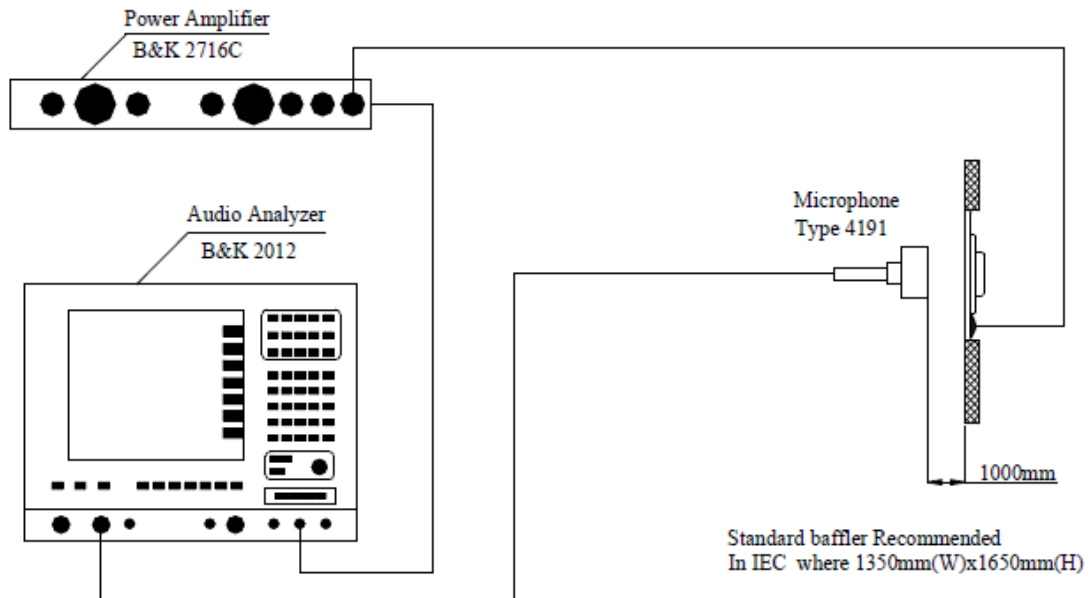


Elektrotechnik Karl-Heinz Mauz GmbH

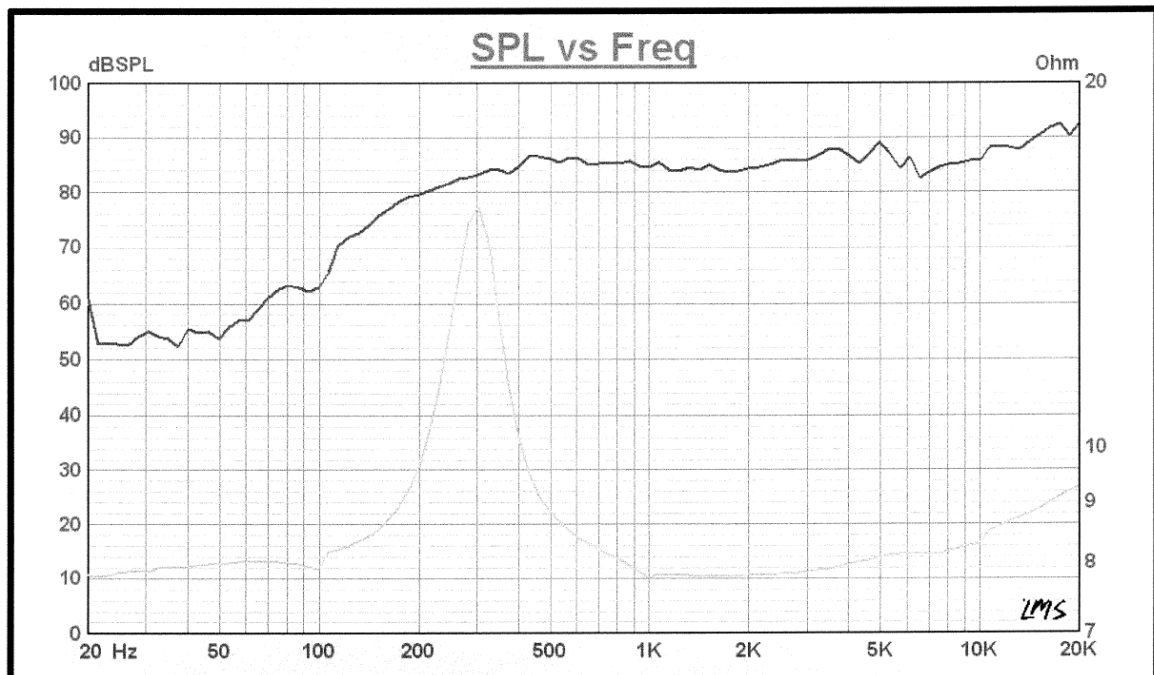
No.	Item	Description	test condition
14	SCANNING VIBRATION	(GB/T 9397-1996-4.5.1)	
15	SLIDING SHOCK	(GB/T 9397-1996 4.5.2)	
16	FREE FALLING	(GB/T 9397-1996 4.5.4)	
17	INSULATION RESISTANCE > 1 M Ω	@ 100V \pm 10% D.C.	
18	BEARING VOLTAGE	NO APPEARANCES OF SHORT AND/OR STRIKING @ 100V/50Hz A.C. for 1 min.	
19	SOLDERABILITY	NORMAL @ Normal atmosphere conditions (GB/T 9396-1996 4.2)	
20	WEIGHET	10.3 \pm 20%g	

Elektrotechnik Karl-Heinz Mauz GmbH

Typical test connect:



Typical Frequency Response Curve :



Adresse: Felix-Wankel-Str. 35 • 73760 Ostfildern/Nellingen

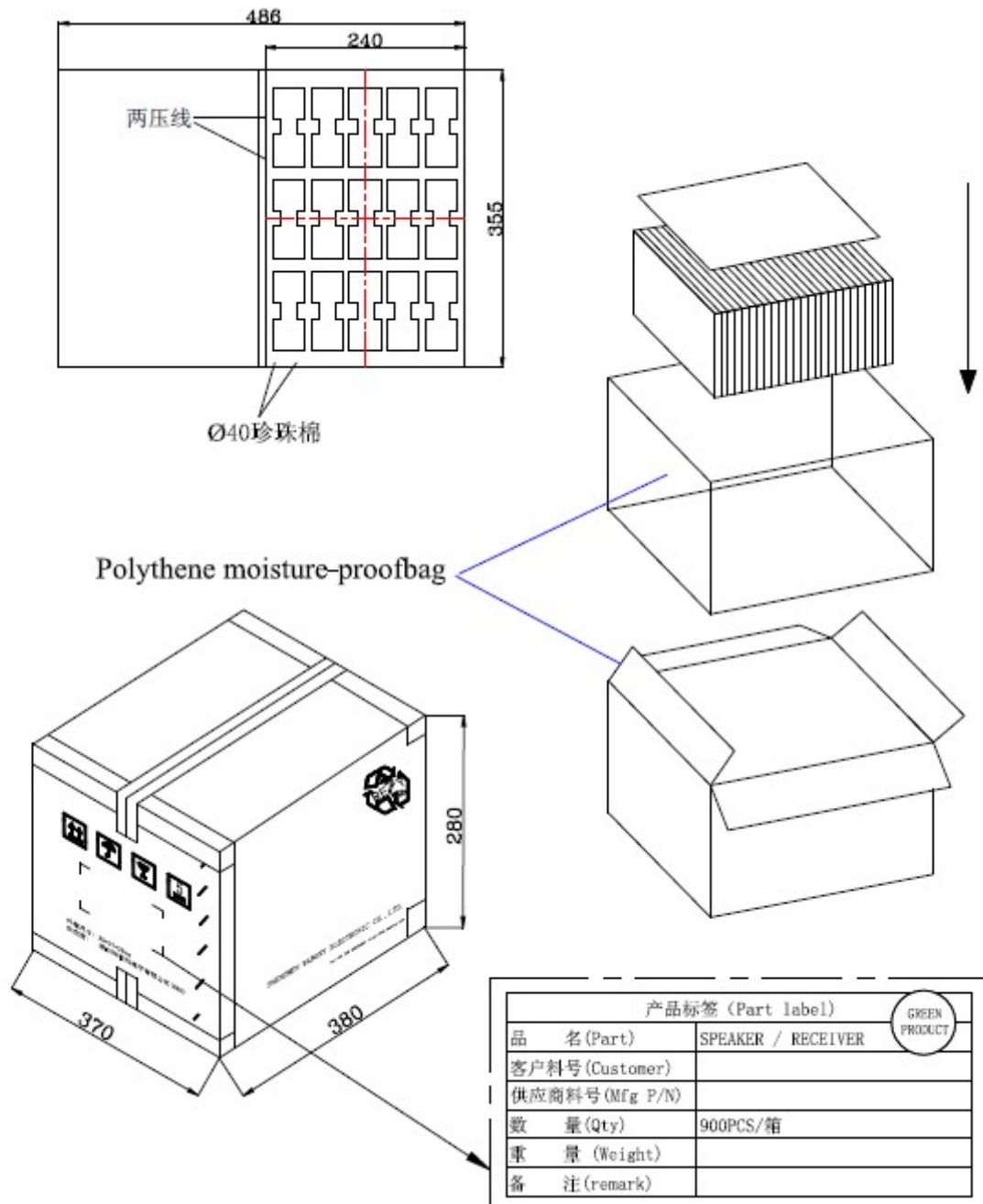
Tel: +49-711/3414023

Fax: +49-711/3414024

E-mail: info@ekulit.de Web site: www.EKULIT.de

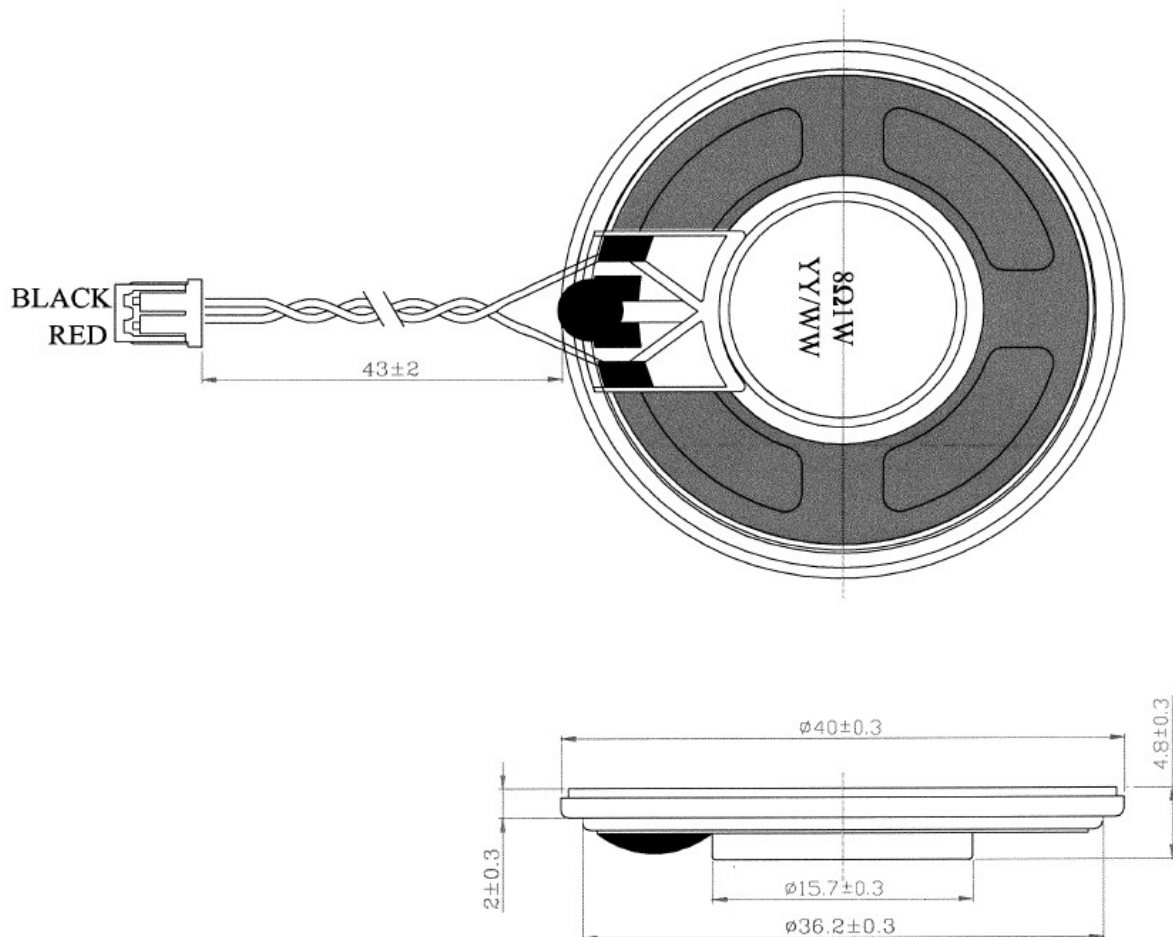
Elektrotechnik Karl-Heinz Mauz GmbH

Packaging:



Elektrotechnik Karl-Heinz Mauz GmbH

Drawing:



1. LEAD WIRE: UL1571,32# , RED AND
BLACK
H:TU1001HNO-2PIN

