



Elektrotechnik Karl-Heinz Mauz GmbH

LSM-40A (Artikel-Nr. 120010)

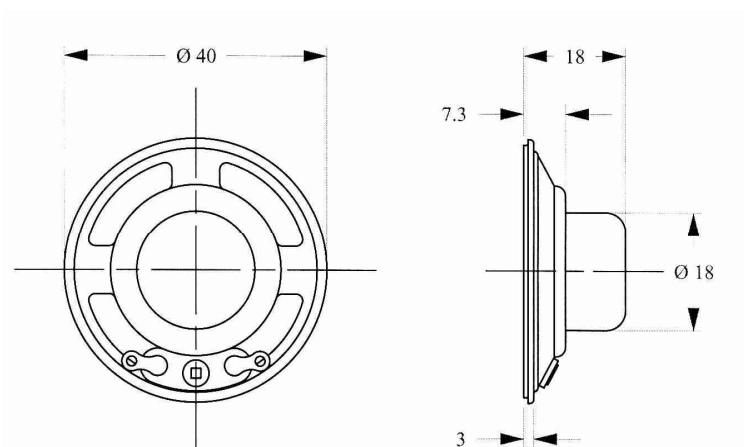
EKULIT

SPECIFICATIONS:

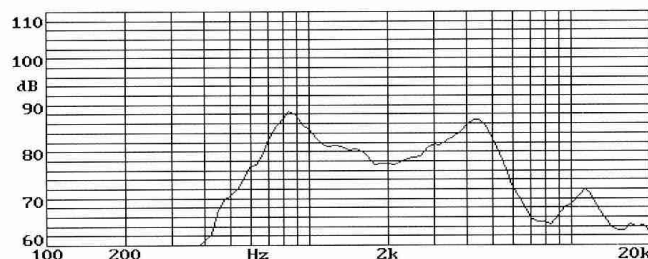
TYPE	UNIT	LSM-40A
Impedance	Ω	$8 \pm 15\%$
Power (Nominal)	W	0.1
Power (Maximum)	W	0.2
Resonant Frequency	Hz	$700 \pm 20\%$
Sound Pressure Level	dB	88 ± 3
Frequency Range	Hz	Fo~5.000
Operating Temperature	$^{\circ}\text{C}$	-20~+60
Storage Temperature	$^{\circ}\text{C}$	-30~+70

DIMENSIONS

(Unit: mm)



Frequency response:



Adresse: **Felix-Wankel-Str. 35 • 73760 Ostfildern/Nellingen**

Tel: **+49-711/3414023**

Fax: **+49-711/3414024**

E-mail: **kmmauz@t-online.de**

Web site: **www.EKULIT.de**