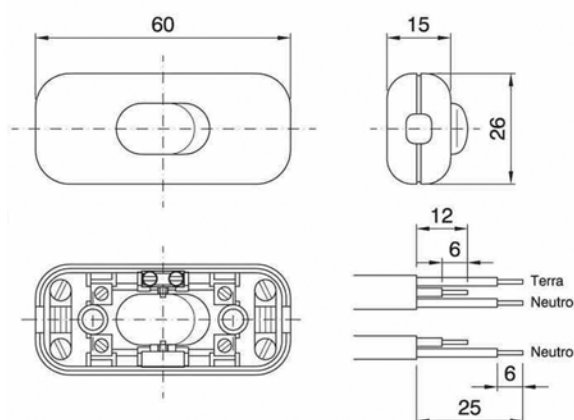


NST171SW1



Technical Operating Data

Material: Thermoplastic resin

Rated voltage: 250V

Color/Treatment: black

Type of cable: two poles flat cable H03VVH2-F 2x0,75 mm² | two poles round cable H03VV-F 2x0.75 mm²

Resistive load: 2A

Resistive-motor load: 1A

Tungsten lamp load: 1A

Dimension: 60x26x15 mm

Terminals: screw type

Approvals:



Symbols:

