



Elektrotechnik Karl-Heinz Mauz GmbH

RMP-23SW (Artikel-Nr. 185135)

EKULIT

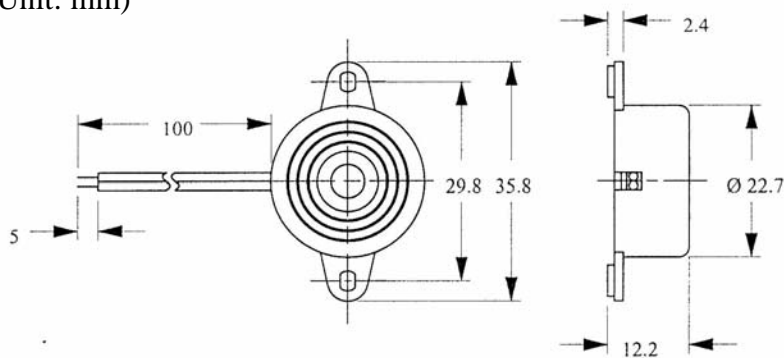
SPECIFICATIONS:

TYPE	UNIT	RMP-23SW
• Min. Sound Output at 30cm	dB	85
Rated Voltage	V	12
Operating Voltage	V	3~20
Resonant Frequency	Hz	3.000±500
• Max. Current Consumption	mA	8
Tone		Continuous
Operating Temperature	°C	-20~+70
Storage Temperature	°C	-30~+80

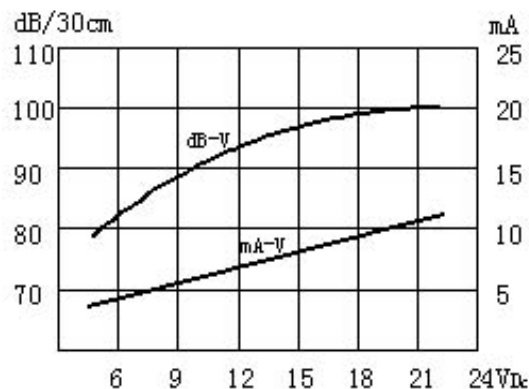
• Value applying at rated voltage

DIMENSIONS :

(Unit: mm)



Frequency response :



Adresse: Felix-Wankel-Str. 35 • 73760 Ostfildern/Nellingen

Tel: +49-711/3414023

Fax: +49-711/3414024

E-mail: info@ekulit.de Web site: www.EKULIT.de