



# Elektrotechnik Karl-Heinz Mauz GmbH

**EPZ-35MS29F** (Artikel-Nr. 190080)

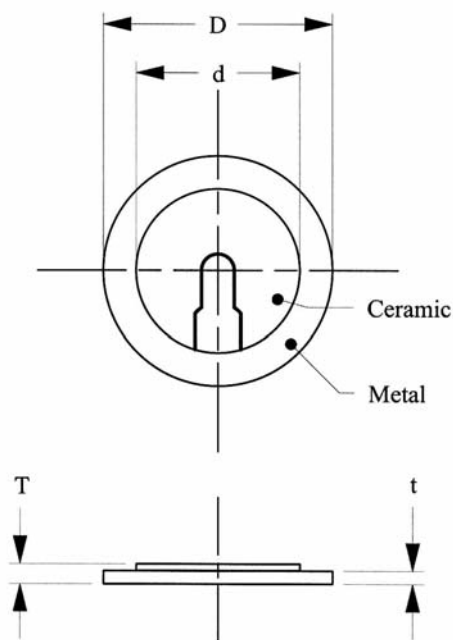
**EKULIT**

## *SPECIFICATIONS:*

TYPE	UNIT	EPZ-35MS29F
Dimensions (mm)	D	35
	d	25
	T	0.30
	t	0.56
Frequency	Hz	2.900
Impedance	$\Omega$	250
Capacitance Co	pF	36.000
Capacitance Cf	pF	4.400
Operating Temperature	$^{\circ}\text{C}$	-20~+70
Storage Temperature	$^{\circ}\text{C}$	-30~+80

## DIMENSIONS :

(Unit: mm)



Adresse: **Felix-Wankel-Str. 35 • 73760 Ostfildern/Nellingen**

Tel: **+49-711/3414023**

Fax: **+49-711/3414024**

E-mail: **info@ekulit.de** Web site: **www.EKULIT.de**