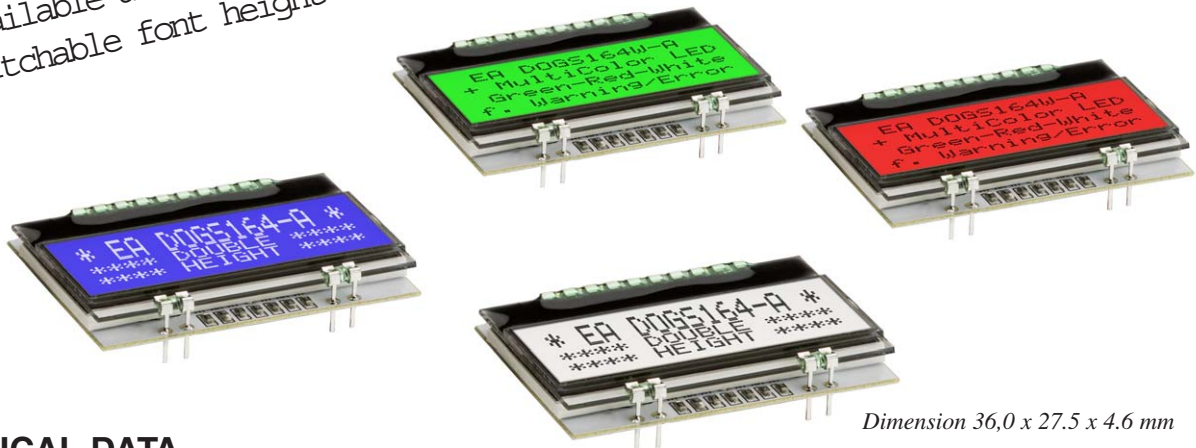


EA DOGS164-A

Issue 10.2017

INCL. CONTROLLER SSD1803A WITH SPI, I²C

available at 1 piece!
Switchable font height



Dimension 36,0 x 27,5 x 4,6 mm

TECHNICAL DATA

- * HIGH-CONTRAST LCD SUPERTWIST DISPLAY
- * OPTIONAL LED BACKLIGHT UNITS IN DIFFERENT COLORS
- * 4x10 CHARACTER WITH 2.6 mm SWITCHABLE TO 2X10 WITH 4.55 mm HEIGHT
- * SSD1803A CONTROLLER FOR SPI (2-/3-/4-WIRE) AND I²C (2-WIRE) INTERFACE
- * SINGLE POWER SUPPLY +3.3V (typically 440µA)
- * NO ADDITIONAL VOLTAGES REQUIRED
- * OPERATING TEMPERATURE RANGE -20 THROUGH +70°C
- * LED BACKLIGHT 3 THROUGH 45mA@3.3V
- * NO MOUNTING REQUIRED, SIMPLY SOLDER INTO PCB
- * 3 DIFFERENT CHARACTER SETS (CYRILLIC, ENGLISH-JAPANESE AND EUROPEAN) INCLUDED IN THE SAME CONTROLLER
- * VIEWING DIRECTION SELECTABLE: BOTTOM AND TOP VIEW

ORDERING CODE

LCD MODULE 4x16 - 3.2 mm

x: *B* = blue background transmissive
W = white background transreflective
N = white background reflective

EA DOGS164x-A

LED-BACKLIGHT AMBER
LED-BACKLIGHT GREEN / RED / WHITE

EA LED40X33-A
EA LED40X33-ERW

ACCESSORIES

USB-TESTBOARD FOR PC (WINDOWS)
SOCKET CONNECTOR 4,8mm HOCH (2 PCS REQUIRED)

EA 9780-3USB
EA FL-10P

EA DOG SERIES

With its EA DOG series, ELECTRONIC ASSEMBLY presents the world's first display series which will run on 3.3 V systems without auxiliary power.

Unlike normal LCD modules, you order the display and the corresponding backlight separately. This gives you a wealth of possible combinations.

Designed for compact hand-held devices, this modern LCD range provides a number of real benefits with or without backlight:

- * extremely compact at 40x33 mm at the standard font size of 3.2 mm (4 x 16)
- * ultra-flat at 2.0 mm without backlight or 4.6 mm including LED backlight
- * SPI interface (2-/3-/4-wire) and I²C (2-wire)
- * typical power consumption of only 440µA in full operation (LED white backlight as of 3mA)
- * easy installation by simply soldering into the board
- * A whole range of design variants can be supplied as of single units
- * Changing background color

LED BACKLIGHTS

2 different variants are available for individual backlighting: monochrome amber and multi-color green/red/white.

For the amber backlight, 2 separate LED paths are available, which can be switched in parallel or in series to ideally match the system voltage.

This means that all the backlights can be run either at 3.3 V and higher voltages.

Operation of the backlight requires an external series resistor for current limiting. This can be calculated by $R=U/I$; you will find the values in the table. To improve life time it is recommended to use a current source only.

The operating life time of the amber backlight is 100,000 hours, those for the 3-color version is a bit shorter (@25°C).

Important: Never operate the backlight directly on a 5 V/3.3V supply, as this can immediately destroy the LEDs!

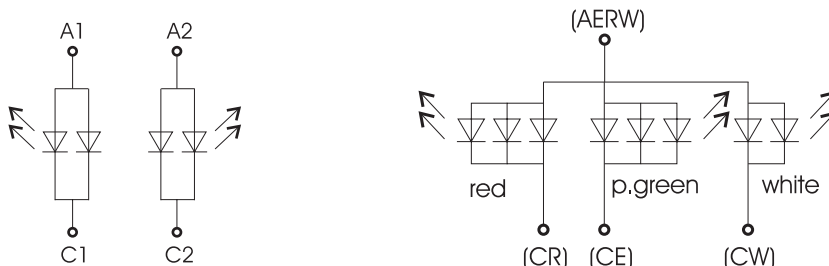
INSTALLATION

First, the display and the corresponding backlight are clipped together. The complete unit is then inserted into a PCB and soldered. Note that the 4 pins for the backlight must also be soldered from the top with less tin.

Important: There are one or two protective films on the display (top and/or rear side) and one on each backlight. Those have to be removed during or after production.

| amber EA LED40x33-A | Forward voltage | Current max. | Limiting resistor | |
|------------------------|--------------------|-----------------|-------------------|--------|
| | | | @ 3,3 V | @ 5 V |
| Connected in parallel | 2,1 V | 60 mA | 20 ohm | 48 ohm |
| Connected in series | 4,2 V | 30 mA | - | 27 ohm |

| green/red/white EA LED40X33-ERW | Forward voltage | Current max. | Limiting resistor | |
|------------------------------------|--------------------|-----------------|-------------------|--------|
| | | | @ 3,3 V | @ 5 V |
| green path | 3,0V | 45 mA | 7 ohm | 45 ohm |
| red path | 2,1 V | 45 mA | 27 ohm | 65 ohm |
| white path | 3,0 V | 30 mA | 10 ohm | 67 ohm |



4 DIFFERENT TECHNOLOGIES

As a standard we provide 3 different technologies as STN and FSTN:

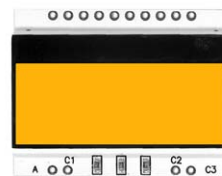
| display type | technology | optional backlight | readability | display color non backlighted | display color backlighted | recommended backlight color |
|------------------------------------------------------------------------------------|----------------------------|--------------------------------------|-----------------------------------|-------------------------------|------------------------------------|-----------------------------|
|  | FSTN pos. transfective | it's fine with and without backlight | readable even without backlight | black on white | black on backlight color | all |
|  | STN neg. blue transmissive | usage only with backlight | --- | --- | white backlight on blue background | white |
|  | FSTN pos. white reflective | no backlight possible | finest readable without backlight | black on white | --- | --- |

2 DIFFERENT BACKLIGHTS

2 different backlight modules are available to match equipment's design as much as possible. The most effective and brightest one is the multicolor version EA LED40x33-ERW.



EA LED40x33-ERW
Tri-color green red white



EA LED40x33-A
Amber

When you can see black and white pictures only here on this page then you're able to download a coloured version from our website <http://www.lcd-module.de/eng/pdf/doma/dogs164e.pdf>

USB-TEST BOARD EA 9780-3USB

For easy startup, a USB test board is available that can be connected to a PC. An USB cable and a Windows software is supplied with the product. This allows individual text and to be displayed directly on the connected display.

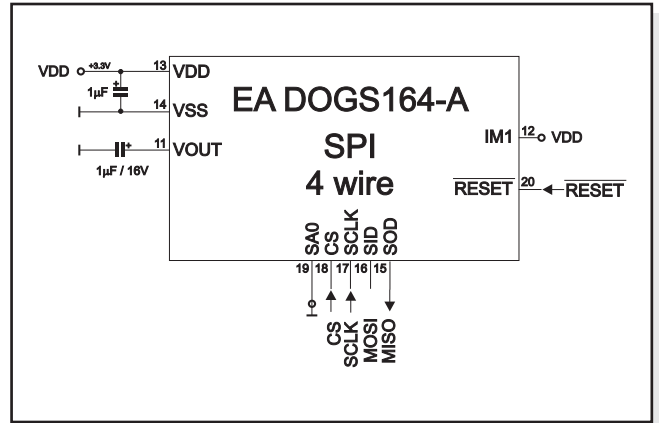
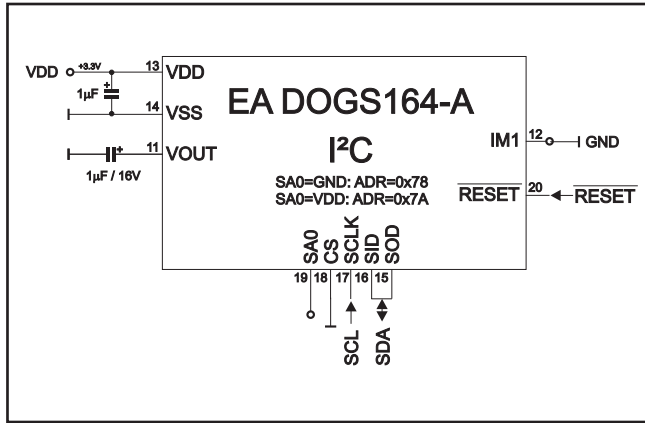
SIMULATION WITH WINDOWS

Without ordering a display, the simulator software may show all the displays and colors even without the hardware. You can download for free from our website. There's no need to install, it's a simple EXE file, also running from USB stick e.g. http://www.lcd-module.de/deu/disk/startdog_V43.zip

APPLICATION EXAMPLES

Different wiring must be used depending on the interface.

Note that the COG technology means that the current capacity of the outputs is limited. Therefore, a large load on the bus may cause signal loops and unclear levels. If in doubt, additional pull-down resistors (8051) are required or additional waits/NOPs must be incorporated.



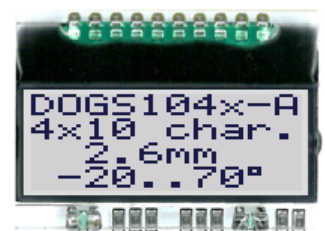
INITIALISATION EXAMPLE

| Initialization Example SPI and I2C | | | | | | | | | | | | |
|------------------------------------|----|-----|-----|-----|-----|-----|-----|-----|-----|-----|------|----------------------------------------------|
| Command | RS | R/W | DB7 | DB6 | DB5 | DB4 | DB3 | DB2 | DB1 | DB0 | Hex | Remark |
| Function Set | 0 | 0 | 0 | 0 | 1 | 1 | 1 | 0 | 1 | 0 | \$3A | 8 bit data length extension Bit RE=1; REV=0 |
| Extended function set | 0 | 0 | 0 | 0 | 0 | 0 | 1 | 0 | 0 | 1 | \$09 | 4 line display |
| Entry mode set | 0 | 0 | 0 | 0 | 0 | 0 | 0 | 1 | 1 | 0 | \$06 | bottom view |
| Bias setting | 0 | 0 | 0 | 0 | 0 | 1 | 1 | 1 | 1 | 0 | \$1E | BS1=1 |
| Function Set | 0 | 0 | 0 | 0 | 1 | 1 | 1 | 0 | 0 | 1 | \$39 | 8 bit data length extension Bit RE=0; IS=1 |
| Internal OSC | 0 | 0 | 0 | 0 | 0 | 1 | 1 | 0 | 1 | 1 | \$1B | BS0=1 -> Bias=1/6 |
| Follower control | 0 | 0 | 0 | 1 | 1 | 0 | 1 | 1 | 1 | 0 | \$6E | Divider on and set value |
| Power control | 0 | 0 | 0 | 1 | 0 | 1 | 0 | 1 | 1 | 0 | \$56 | Booster on and set contrast (DB1=C5, DB0=C4) |
| Contrast Set | 0 | 0 | 0 | 1 | 1 | 1 | 1 | 0 | 1 | 0 | \$7A | Set contrast (DB3-DB0=C3-C0) |
| Function Set | 0 | 0 | 0 | 0 | 1 | 1 | 1 | 0 | 0 | 0 | \$38 | 8 bit data length extension Bit RE=0; IS=0 |
| Display On | 0 | 0 | 0 | 0 | 0 | 0 | 1 | 1 | 1 | 1 | \$0F | Display on, cursor on, blink on |

12:00 VIEWING ANGLE, TOP VIEW OPTION

If the display is read mostly from above (on the front of a laboratory power supply unit, for example), the preferred angle of viewing can be set to 12 o'clock. This rotates the display by 180°. A slightly different initialization setup is required for this. The line address is incremented by 10.

| Change view | | | | | | | | | | | | |
|--------------|----|-----|-----|-----|-----|-----|-----|-----|-----|-----|------|--------------------------------------------|
| Command | RS | R/W | DB7 | DB6 | DB5 | DB4 | DB3 | DB2 | DB1 | DB0 | Hex | Remark |
| Function Set | 0 | 0 | 0 | 0 | 1 | 1 | 1 | 0 | 1 | 0 | \$3A | 8-Bit data length extension Bit RE=1; IS=0 |
| Entry Mode | 0 | 0 | 0 | 0 | 0 | 0 | 0 | 1 | BDC | BDS | \$0X | \$06=bottom view, \$05 = top view |
| Function Set | 0 | 0 | 0 | 0 | 1 | 1 | 1 | 0 | 0 | 0 | \$38 | 8-Bit data length extension Bit RE=0; IS=0 |



Orientation 6:00 (Bottom View)



Orientation 12:00 (Top View)

SETTING THE CONTRAST

The contrast for the EA DOGS164-A can be set by command. This is done using bits C0 through C5 in the commands "Contrast Set" and "Power/Icon Control/Contrast Set". Generally, the contrast is set once only. Thanks to the integrated temperature compensation function, it's kept constant all over the entire operating temperature range (-20 to +70°C).

| Contrast set | | | | | | | | | | | | |
|---------------|----|-----|-----|-----|-----|-----|-----|-----|-----|-----|------|----------------------------------------------|
| Command | RS | R/W | DB7 | DB6 | DB5 | DB4 | DB3 | DB2 | DB1 | DB0 | Hex | Remark |
| Function Set | 0 | 0 | 0 | 0 | 1 | 1 | 1 | 0 | 0 | 1 | \$39 | 8-Bit data length extension Bit RE=0; IS=1 |
| Power control | 0 | 0 | 0 | 1 | 0 | 1 | 0 | 1 | 1 | 0 | \$56 | Booster on and set contrast (DB1=C5, DB0=C4) |
| Contrast Set | 0 | 0 | 0 | 1 | 1 | 1 | 1 | 0 | 1 | 0 | \$7A | Set contrast (DB3-DB0=C3-C0) |
| Function Set | 0 | 0 | 0 | 0 | 1 | 1 | 1 | 0 | 0 | 0 | \$38 | 8-Bit data length extension Bit RE=0; IS=0 |

DDRAM ADDRESS / LINE COUNT

The display controller SSD1803A affords the opportunity of double height fonts. The different line combinations with its corresponding initialization commands are shown in the following table. The DDRAM address depends on line count and viewing direction.

| Bottom view | DDRAM ADDRESS (0x80+adr) | Top view | DDRAM ADDRESS (0x80+adr) | Set line count (RS = 0, R/W = 0) |
|-------------|------------------------------|----------|------------------------------|----------------------------------------------------------------------------------------------|
| | 0x00 0x20 0x40 0x60 | | 0x0F 0x2F 0x4F 0x6F | 0x38 ->Function set: DH = 0 |
| | 0x00 0x20 0x40 | | 0x0F 0x2F 0x4F | 0x3A ->Function set: RE = 1 0x1F -> 3 Lines top 0x3C ->Function set: RE = 0, DH = 1 |
| | 0x00 0x20 0x40 | | 0x0F 0x2F 0x4F | 0x3A ->Function set: RE = 1 0x17 -> 3 Lines middle 0x3C ->Function set: RE = 0, DH = 1 |
| | 0x00 0x20 0x40 | | 0x0F 0x2F 0x4F | 0x3A ->Function set: RE = 1 0x13 -> 3 Lines bottom 0x3C ->Function set: RE = 0, DH = 1 |
| | 0x00 0x20 | | 0x0F 0x2F | 0x3A ->Function set: RE = 1 0x1B -> 2 Lines 0x3C ->Function set: RE = 0, DH = 1 |

Further information about the commands of the SSD1803A, please refer to the datasheet:
http://www.lcd-module.de/fileadmin/eng/pdf/zubehoer/ssd1803a_2_0.pdf

CHARACTER SET

The controller has 3 built-in character sets. They can be selected with the command "ROM-Selection" in the extended command set.

ROM A

| | |
|--------------|---------------------------------|
| b3-0 b7-4 | 0 1 2 3 4 5 6 7 8 9 A B C D E F |
| 00 | |
| 10 | |
| 20 | |
| 30 | |
| 40 | |
| 50 | |
| 60 | |
| 70 | |
| 80 | |
| 90 | |
| A0 | |
| B0 | |
| C0 | |
| D0 | |
| E0 | |
| F0 | |

ROM B

| | |
|--------------|---------------------------------|
| b3-0 b7-4 | 0 1 2 3 4 5 6 7 8 9 A B C D E F |
| 00 | |
| 10 | |
| 20 | |
| 30 | |
| 40 | |
| 50 | |
| 60 | |
| 70 | |
| 80 | |
| 90 | |
| A0 | |
| B0 | |
| C0 | |
| D0 | |
| E0 | |
| F0 | |

ROM C

| | |
|--------------|---------------------------------|
| b3-0 b7-4 | 0 1 2 3 4 5 6 7 8 9 A B C D E F |
| 00 | |
| 10 | |
| 20 | |
| 30 | |
| 40 | |
| 50 | |
| 60 | |
| 70 | |
| 80 | |
| 90 | |
| A0 | |
| B0 | |
| C0 | |
| D0 | |
| E0 | |
| F0 | |

| Change character table | | | | | | | | | | | | |
|------------------------|----|-----|-----|-----|-----|-----|-----|-----|-----|-----|------|--------------------------------------|
| Command | RS | R/W | DB7 | DB6 | DB5 | DB4 | DB3 | DB2 | DB1 | DB0 | Hex | Remark |
| Function Set | 0 | 0 | 0 | 0 | 1 | 1 | 1 | 0 | 1 | 0 | \$3A | 8-Bit data length extension Bit RE=1 |
| ROM Selection | 0 | 0 | 0 | 0 | 0 | 0 | 1 | 0 | 0 | 1 | \$72 | ROM selection double byte command |
| | 1 | 0 | 0 | 0 | 0 | 0 | R2 | R1 | 0 | 0 | \$0X | \$00 = ROMA; \$04=ROMB; \$0C=ROMC |
| Function Set | 0 | 0 | 0 | 0 | 1 | 1 | 1 | 0 | 0 | 0 | \$38 | 8-Bit data length extension Bit RE=0 |

CREATING YOUR OWN CHARACTERS

It's possible to create 8 own additional characters (ASCII Codes 0..7) to the fixes ROM codes. Please be informed, that RE- and IS-Bit need to be 0.

- 1.) The command "CG RAM Address Set" defines the ASCII code (Bit 3,4,5) and the dot line (Bit 0,1,2) of the new character. Example demonstrates creating ASCII code \$00.
- 2.) Doing 8 times the write command "Data Write" defines line by line the new character. 8th. byte stands for the cursor line.
- 3.) The new defined character can be used as a "normal" ASCII code (0..7); use with "DD RAM Address Set" and "Data Write".

| Character-data | | | | | | | | Hex |
|----------------|---|---|---|---|---|---|---|------|
| Bit | | | | | | | | |
| 7 | 6 | 5 | 4 | 3 | 2 | 1 | 0 | Hex |
| X | X | X | 0 | 0 | 1 | 0 | 0 | |
| | | | 0 | 0 | 1 | 0 | 0 | \$04 |
| | | | 0 | 0 | 1 | 0 | 0 | \$04 |
| | | | 0 | 0 | 1 | 0 | 0 | \$04 |
| | | | 1 | 0 | 1 | 0 | 1 | \$15 |
| | | | 0 | 1 | 1 | 1 | 0 | \$0E |
| | | | 0 | 0 | 1 | 0 | 0 | \$04 |
| | | | 0 | 0 | 0 | 0 | 0 | \$00 |

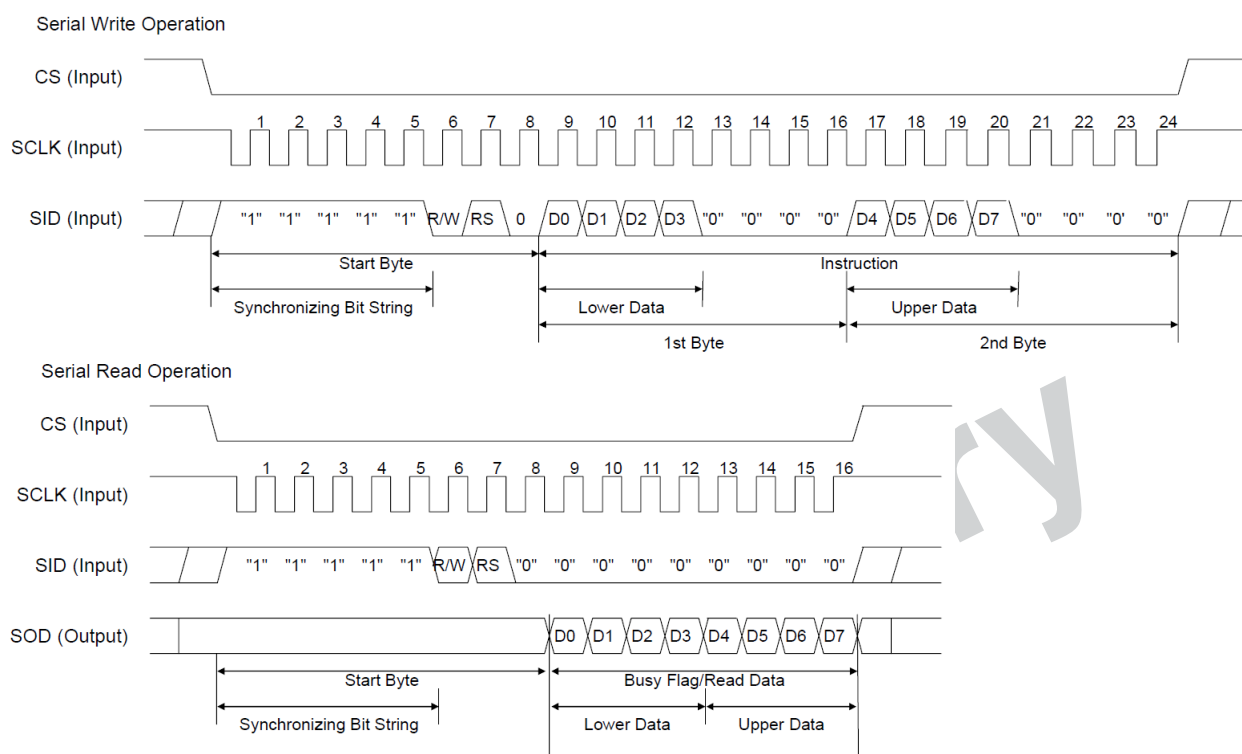
| Define own character | | | | | | | | | | | | |
|----------------------|----|-----|-----|-----|-----|-----|-----|-----|-----|-----|------|----------------------------------------------------------|
| Command | RS | R/W | DB7 | DB6 | DB5 | DB4 | DB3 | DB2 | DB1 | DB0 | Hex | Remark |
| CG-RAM address set | 0 | 0 | 0 | 1 | AC5 | AC4 | AC3 | AC2 | AC1 | AC0 | \$40 | Set address of character \$40=0; \$48=1; \$54=2...\$78=7 |
| Character-data | 1 | 0 | x | x | x | 0 | 0 | 1 | 0 | 0 | \$04 | first line |
| | | | | | | 0 | 0 | 1 | 0 | 0 | \$04 | second line |
| | | | | | | 0 | 0 | 1 | 0 | 0 | \$04 | third line |
| | | | | | | 0 | 0 | 1 | 0 | 0 | \$04 | fourth line |
| | | | | | | 1 | 0 | 1 | 0 | 1 | \$15 | fifth line |
| | | | | | | 0 | 1 | 1 | 1 | 0 | \$0E | sixth line |
| | | | | | | 0 | 0 | 1 | 0 | 0 | \$04 | seventh line |
| | | | | | | 0 | 0 | 0 | 0 | 0 | \$00 | eighth line, cursor line |

SERIAL INTERFACE (SPI, MODE3)

The serial interface always needs a synchronization byte. In write mode, the byte to send has to be divided in two bytes, into the "lower data" and "upper data". Please refer to the chart below. The maximum clock frequency for SCLK is 1 MHz.

SPI, 1-/2-/3-WIRE

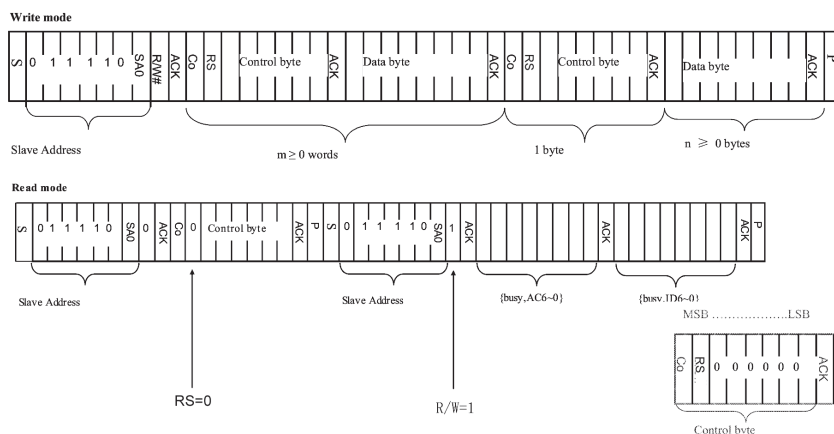
With 2 to 4 lines SCLK, SID and CS, SOD (if necessary) the display EA DOGS164-A may be connected directly to the SPI interface of a μ C.



I²C INTERFACE

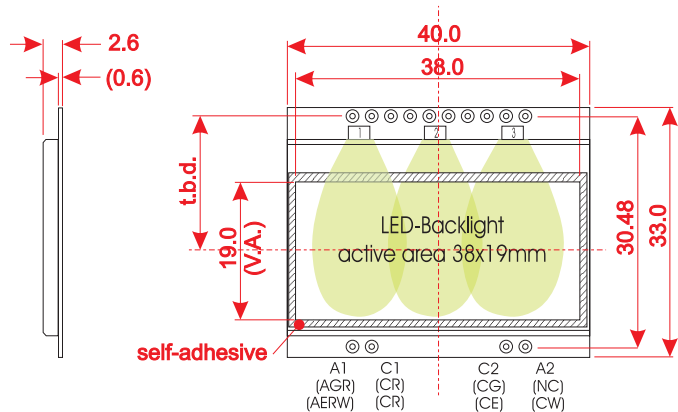
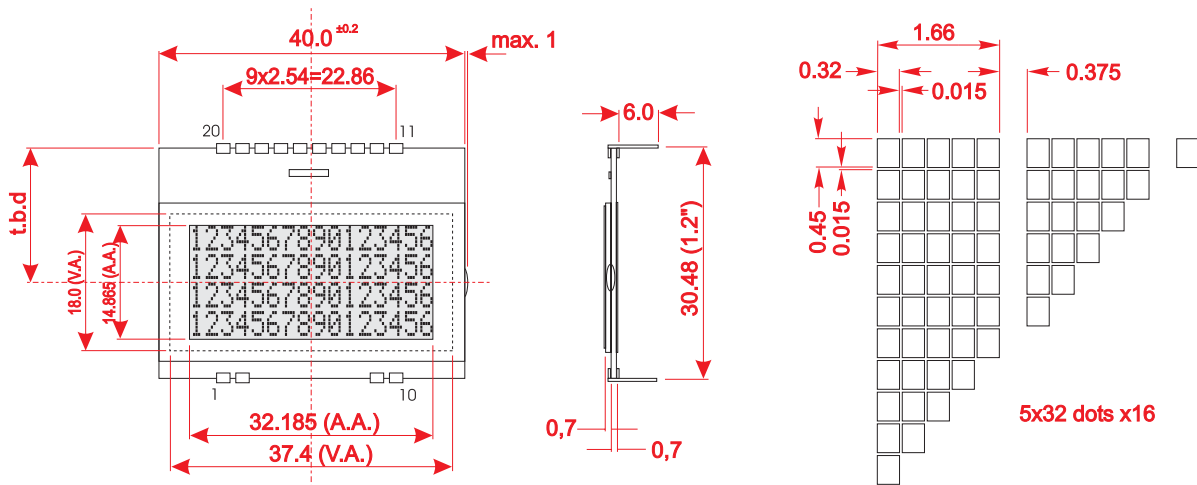
The display can be assigned to the slave address 0x78 or 0x7A (PIN SA0). After transferring the start condition, the hardware address, together with the Read(1)/Write(0) bit has to be transmitted. While writing to the display, after the slave address, there always is a control byte holding the information Data(1) or Command(0) and the continuation bit. If the continuation bit is set to 0, the following bytes are data bytes until the next stop condition occurs. The maximum clock rate for I²C bus is 400 kHz.

Please be informed, that the pins SDA+SCK contain an internal resistance of 600 to 1000 Ohm, or even more (Important, because of the LO-level while reading data and the ACK-Bit).



Further information about the interfaces and the timing of the SSD1803A, please refer to the datasheet http://www.lcd-module.de/fileadmin/eng/pdf/zubehoer/ssd1803a_2_0.pdf

DIMENSION



Note:

- LC-displays are not suited for wave soldering or reflow soldering. Temperatures above +80°C may damage LCD module.
- Surfaces of display and backlight are equipped with protection foils to be protected against scratching. Please remove before use.

all dimensions are in mm

| Pin | Symbol | Level | Function | Pin | Symbol | Level | Function |
|-----|--------|-------|---------------------|-----|--------|-------|--------------------------|
| 1 | NC | | (A1: LED backlight) | 20 | RST | L | Reset |
| 2 | NC | | (C1: LED backlight) | 19 | SA0 | H/L | Slave Address |
| 3 | | | | 18 | CS | L | Chip Select |
| 4 | | | | 17 | SCLK | H/L | Serial Clock |
| 5 | | | | 16 | SID | H/L | Serial Data In |
| 6 | | | | 15 | SOD | H/L | Serial Data Out |
| 7 | | | | 14 | VSS | L | GND |
| 8 | | | | 13 | VDD | H | Power Supply +2.4..+3,6V |
| 9 | NC | | (C2: LED backlight) | 12 | IM1 | H/L | Mode H: SPI/ L: PC |
| 10 | NC | | (A2: LED backlight) | 11 | VOUT | - | Output Voltage Converter |

Note: The LED-Pins A1, C1, A2 und C2 (bzw. AGR, AERW, CG, CE, CR, CW) must be soldered from the top to ensure a clean contact.