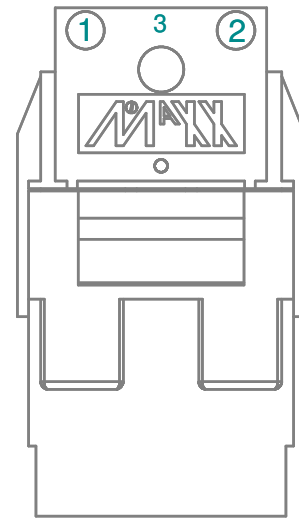
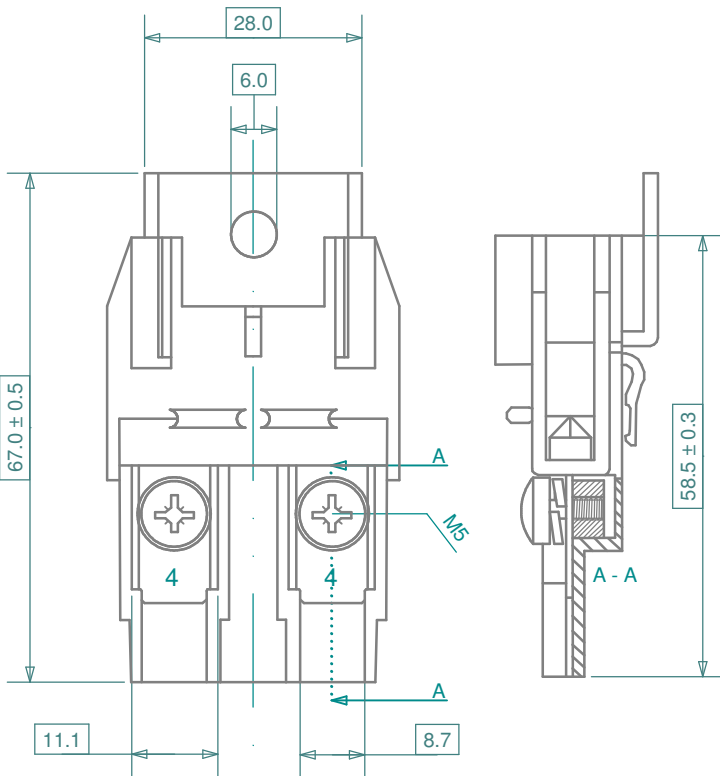


**Notes:**

- 1: production year fuse holder body
- 2: production month fuse holder body
- 3: tool cavity number
- 4: production date fuse holder contacts

**Materials:**

Body material Ultramid A3X2G5,PA66 GF 25, black  
 Tab contact CuFe 2P H130 (K65), DIN 17 670  
 M5 square nut, CuZn 39 Pb3, DIN 557 (2x)  
 M5x8 PZ2 screw, galvanized steel grade 4.8, DIN 7985 (2x)



maxiOTO fuse reference table

iMaXX Ref.	Rating [A]	Color	Cable min. cross section
F9020	20	Yellow	1.5
F9025	25	Grey	2.0
F9030	30	Green	2.5
F9040	40	Orange	4.0
F9050	50	Red	6.0
F9060	60	Blue	10.0
F9070	70	Brown	10.0
F9080	80	Natural	16.0
F9100	100	Violet	16.0

ring terminal reference table

iMaXX Ref.	Description
CCX906QL	ring terminal DIN 5-6B, 6mm <sup>2</sup>
CCX910QL	ring terminal DIN 5-10B, 10mm <sup>2</sup>

cover reference table

iMaXX Ref.	Description
H9105	FH maxiOTO H9120 cover 1p

Revisions		Date	Appr.
	Date	Type	Drawn
a	06/08	Re-drawn	Checked
b	09/13	Re-drawn, new tooling	Standards
c	09/13	Updated notes, materials and table	Approved
d	11/13	Updated dimensions	
e	04/17	Added ring terminal X-ref	Scale
		Projection	not to scale
			Tolerance
			± 0.2 mm unless otherwise noted
			Title
			H9120 series, maxiOTO blade fuse holder
		Drawing type	schematic
		Drawing number	H9120 drawing 1
		Sheet	1 of 1
		Layers / Sheet	0 1 2 6 8 9 Sheet 01

