

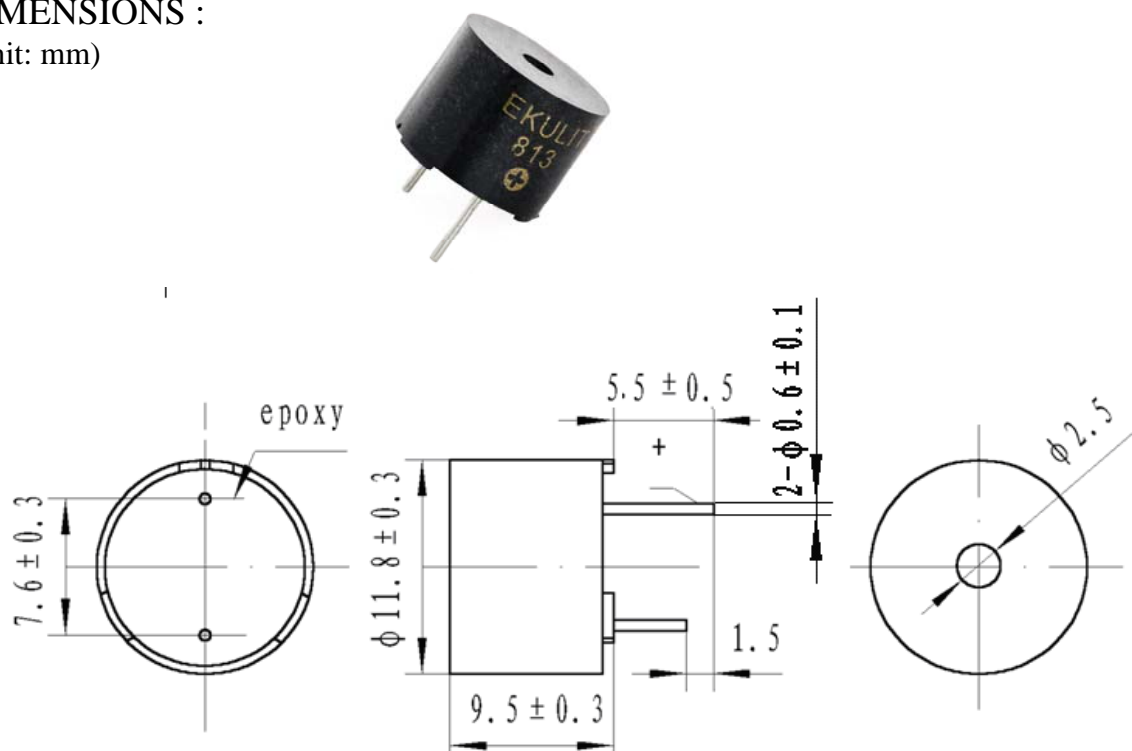
### AL-60SP12 (Artikel-Nr. 170070)

#### *SPECIFICATIONS:*

| TYPE                        | UNIT            | AL-60SP12 |
|-----------------------------|-----------------|-----------|
| • Min. Sound Output at 10cm | dB              | 85        |
| Rated Voltage               | V <sub>DC</sub> | 12        |
| Operating Voltage           | V <sub>DC</sub> | 8~16      |
| Resonant Frequency          | Hz              | 2.300±300 |
| • Max. Current Consumption  | mA              | 30        |
| Operating Temperature       | °C              | -20~+70   |
| Storage Temperature         | °C              | -30~+80   |
| Weight                      | g               | 2         |
| Housing Material            |                 | PPO       |

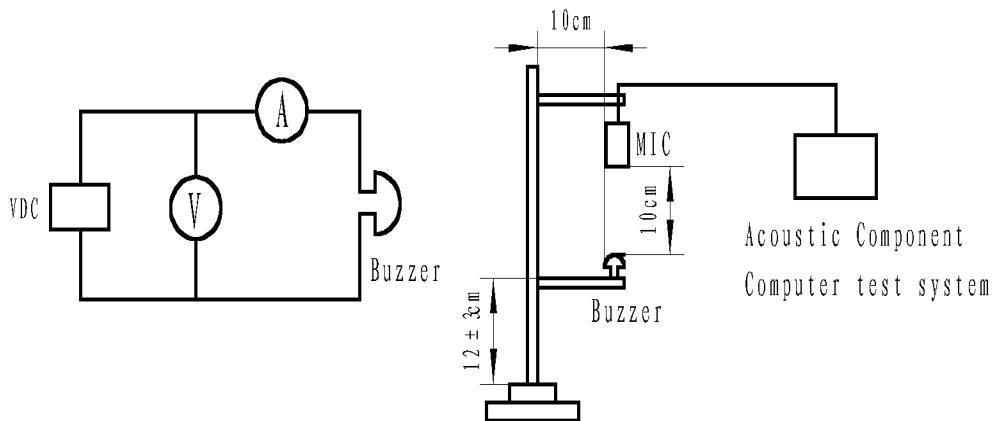
• Value applying at rated voltage

#### DIMENSIONS : (Unit: mm)

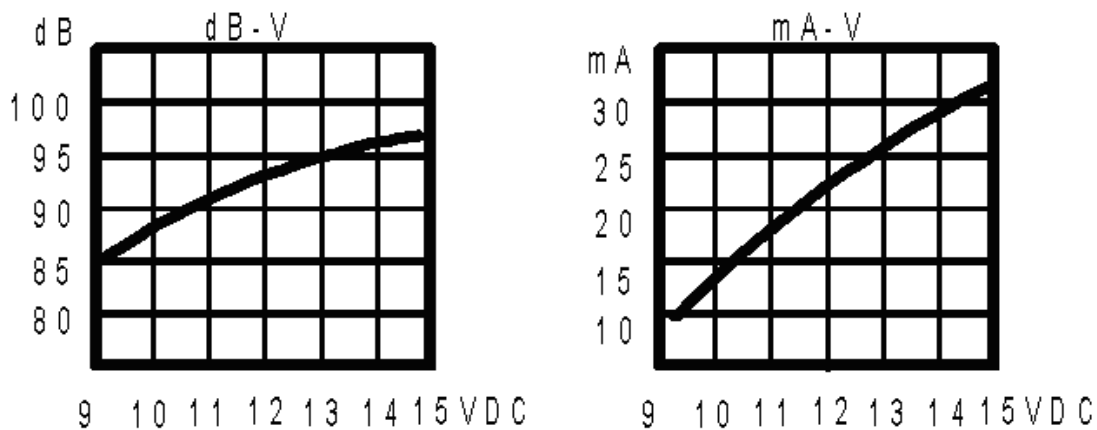


## Elektrotechnik Karl-Heinz Mauz GmbH

TEST METHOD:



FREQUENCY RESPONSE:



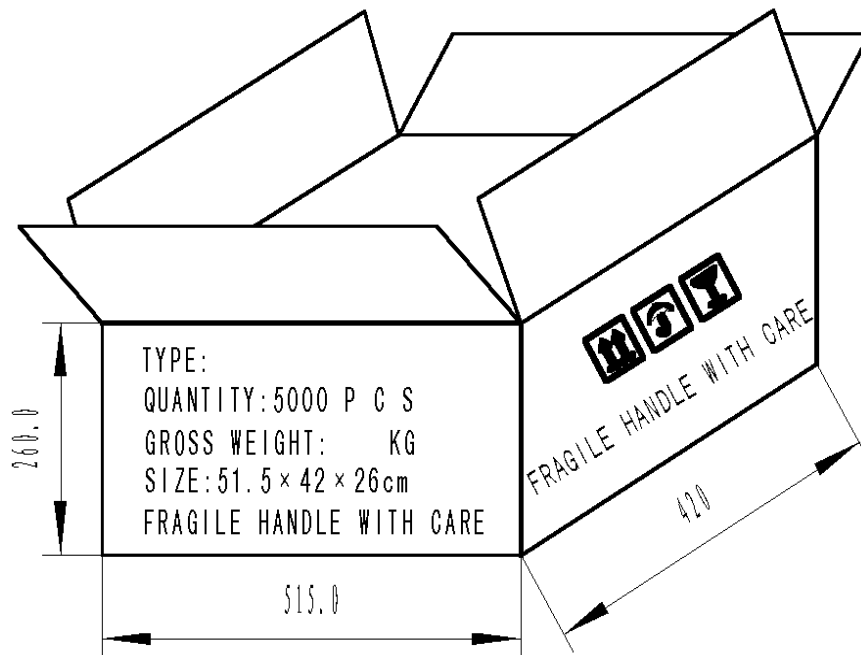
## Elektrotechnik Karl-Heinz Mauz GmbH

---

RELIABLY TEST:

| NO | ITEM                   | TESTING CONDITION   | VARIANCE AFTER TEST  |
|----|------------------------|---|--|
| 1  | Humidity               | 40±5°C, 93(+2/-3)%RH, 96HRS   | All specifications must be satisfied after the test  |
| 2  | High temp.             | +80±2°C, 96HRS  |  |
| 3  | Low temp.              | -30±2°C, 96HRS  |  |
| 4  | Temperature cycling    | -30±2°C, 30 minutes<br>room temp. 15 minutes<br>+80±2°C, 30 minutes<br>room temp. 15 minutes<br>5 cycles  |  |
| 5  | Drop test              | 3 times from height of 70cm onto the sureface of 10mm thick wooden board.   |  |
| 6  | Vibration test         | Make the test for the directions of X Y and Z (total 0.5 hours).<br>To-and-fro sweep time (from 10 to 55 Hz and then 55 to 10) under single amplitude of 1.0mm is 1 minute. |  |
| 7  | Solder heat resistance | The part leads (pins) shall be immersed in molten solder maintained at 250±10°C for a period of 30 seconds.   | After the test part shall meet specifications without any degradation in appearance and performance. |

Packing:



NOTES:

- 1.100 PCS per box
- 2.Total 50 boxes per carton
- 3.Total 5000 PCS carton
- 4.Volume:51.5x42x26cm