



# Elektrotechnik Karl-Heinz Mauz GmbH

**AL-60P12** (Artikel-Nr. 155120)

**EKULIT**

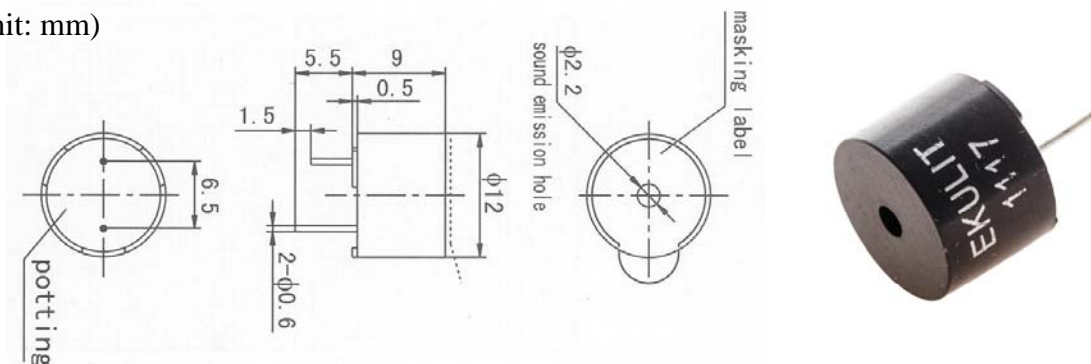
## *SPECIFICATIONS:*

| TYPE                        | UNIT         | AL-60P12     |
|-----------------------------|--------------|--------------|
| • Min. Sound Output at 10cm | dB           | 85           |
| Rated Voltage               | V            | 12           |
| Operating Voltage           | V            | 7~16         |
| Resonant Frequency          | Hz           | 2.400        |
| • Max. Current Consumption  | mA           | 40           |
| Coil Resistance             | $\Omega$     | 140 $\pm$ 14 |
| •• Coil Impedance           | $\Omega$     | 240          |
| Operating Temperature       | $^{\circ}$ C | -25~+70      |
| Storage Temperature         | $^{\circ}$ C | -30~+80      |
| Weight                      | g            | 2            |

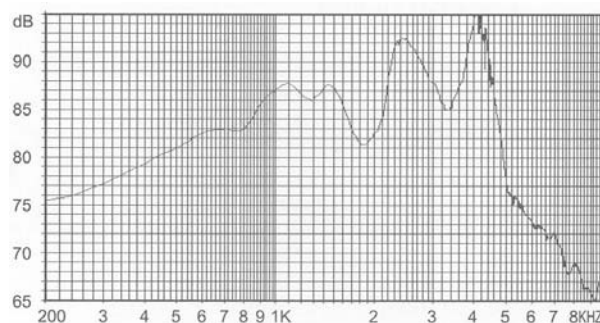
- Value applying at (rated voltage, 2.400Hz, 1/2 duty square wave)
- Value applying at (2.400Hz, sine wave, measuring current 60 $\mu$  A)

## DIMENSIONS :

(Unit: mm)



## Frequency response:



Adresse: **Felix-Wankel-Str. 35 • 73760 Ostfildern/Nellingen**

Tel: **+49-711/3414023**

Fax: **+49-711/3414024**

E-mail: **info@ekulit.de** Web site: **www.EKULIT.de**