



Elektrotechnik Karl-Heinz Mauz GmbH

EKULIT

SMD-17D12 (Artikel-Nr. 220060)

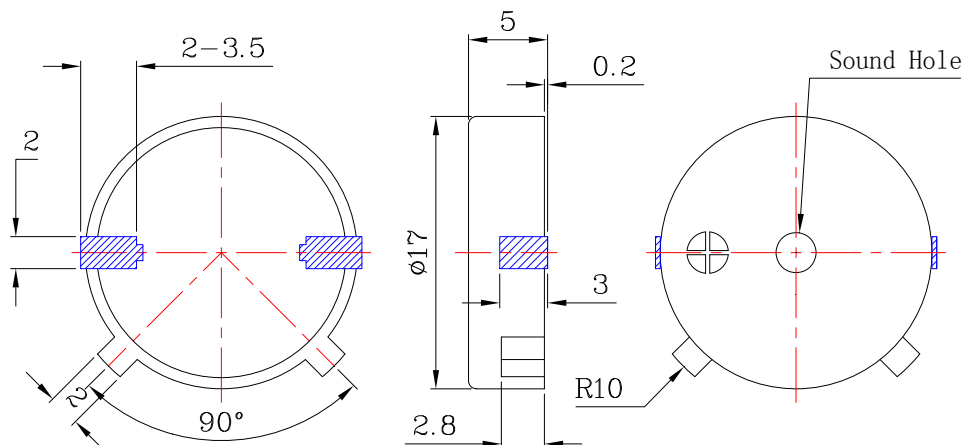
SPECIFICATIONS:

TYPE	UNIT	SMD-17D12
• Min. Sound Output at 10cm	dB	90
Rated Voltage	Vp-p	12
Operating Voltage	Vp-p	1~30
• Resonant Frequency	Hz	4.000±500
• Max. Current Consumption	mA	5
Electrostatic Capacity	pF	15000±30%
Operating Temperature	°C	-40~+105
Storage Temperature	°C	-40~+120
Weight	g	1.3
Housing Material		PPS (Black)
RoHS		Yes

• Value applying at rated voltage

DIMENSIONS :

(Unit: mm)



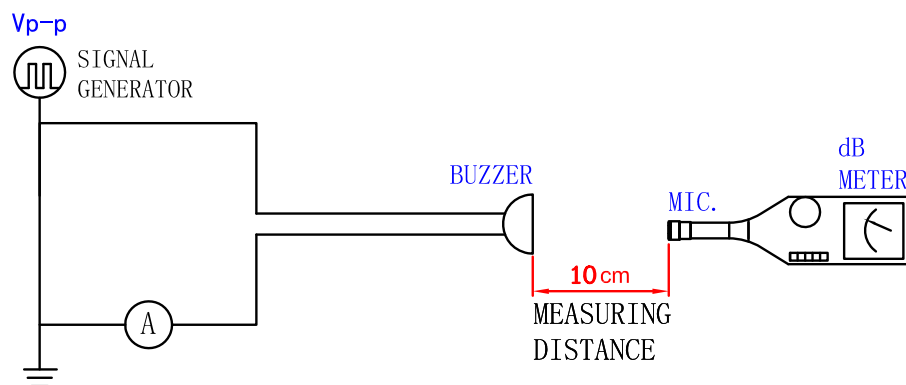
TESTING METHOD

Standard Measurement conditions

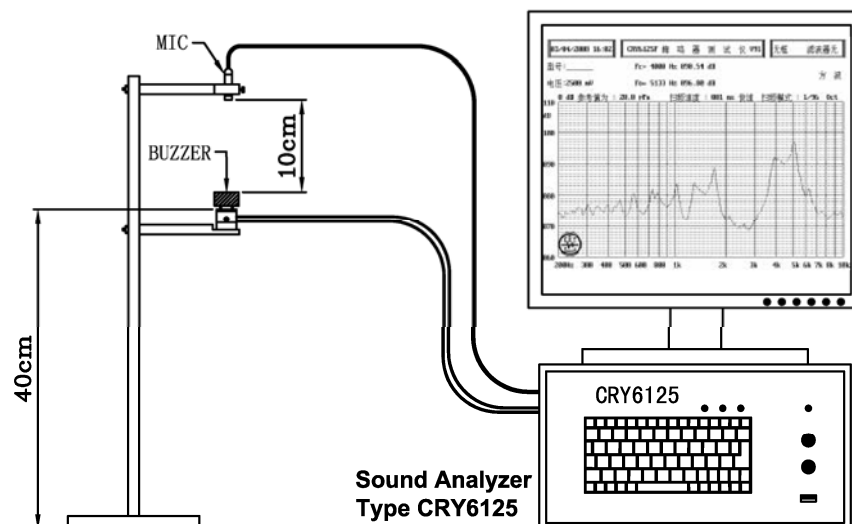
Temperature: $25 \pm 2^\circ\text{C}$ Humidity: 45-65%

Acoustic Characteristics:

The oscillation frequency, current consumption and sound pressure are measured by the measuring instruments shown below



In the measuring test, buzzer is placed as follows:

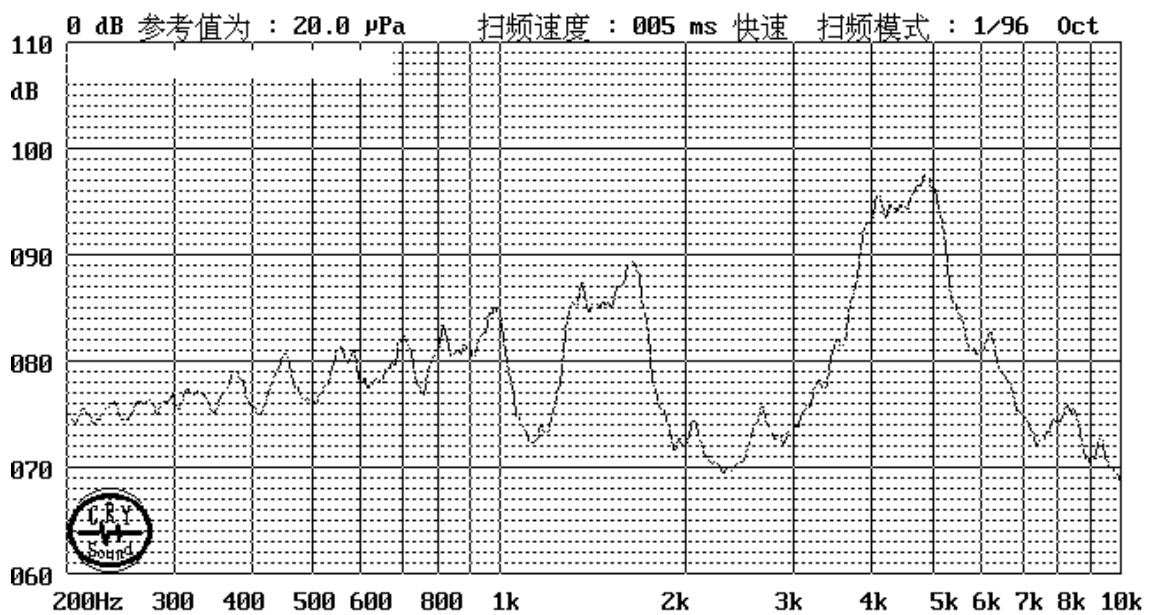




Elektrotechnik Karl-Heinz Mauz GmbH

EKULIT

Typical Frequency Response Curve



Picture:





Elektrotechnik Karl-Heinz Mauz GmbH

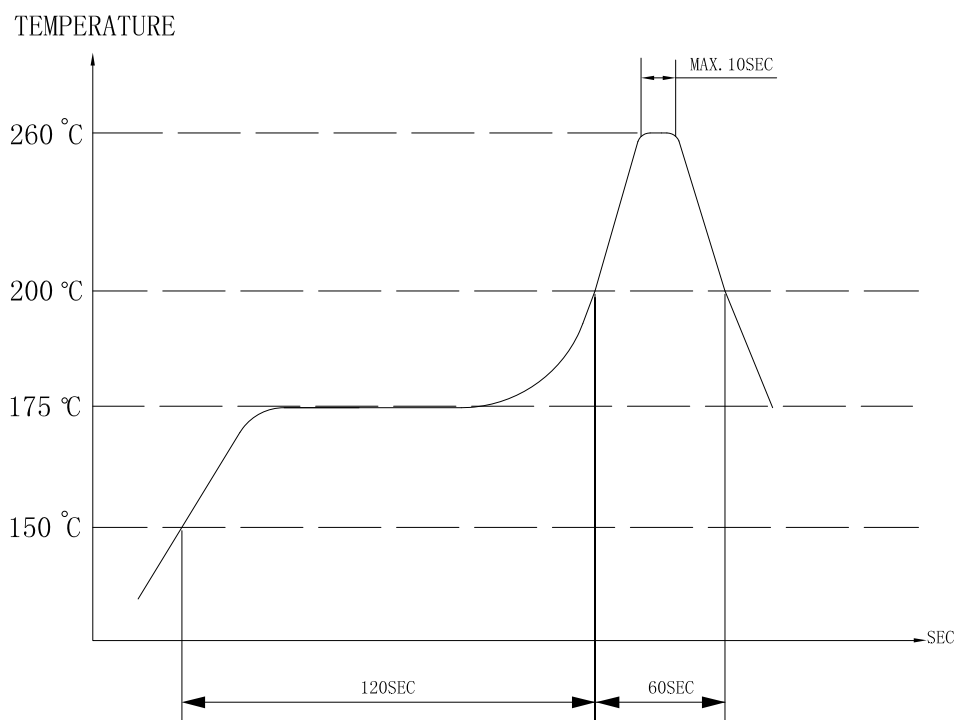
EKULIT

Soldering Condition

(1) Recommendable reflow soldering condition is as follows

(Reflow soldering is twice)

Note: It is requested that reflow soldering should be executed after heat of product goes down to normal.



Heat resistant line

(Used when heat resistant reliability test is performed)

(2) Manual soldering

Manual soldering temperature 350 °C within 5 sec.



Elektrotechnik Karl-Heinz Mauz GmbH

EKULIT

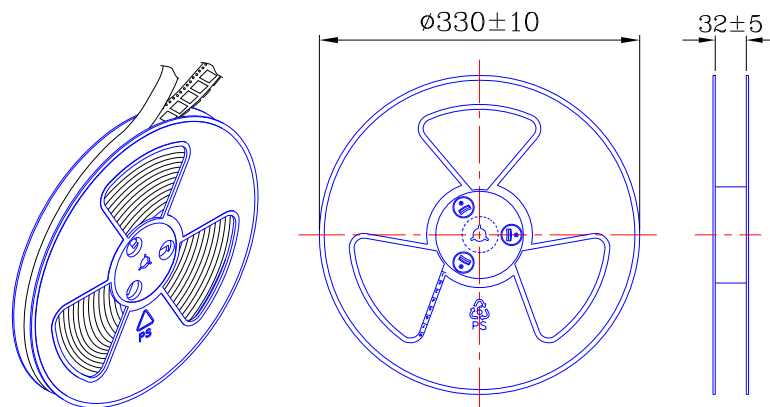
RELIABILITY TEST

NO.	ITEM	TEST CONDITION AND REQUIREMENT
1	High Temperature Test (Storage)	After being placed in a chamber with $80\pm 2^{\circ}\text{C}$ for 96 hours and then being placed in normal condition for 2 hours. Allowable variation of SPL after test: $\pm 10\text{dB}$.
2	Low Temperature Test (Storage)	After being Placed in a chamber with $-40\pm 2^{\circ}\text{C}$ for 96 hours and then being placed in normal condition for 2 hours. Allowable variation of SPL after test: $\pm 10\text{dB}$.
3	Humidity Test	After being Placed in a chamber with 90-95% R.H. at $40\pm 2^{\circ}\text{C}$ for 96 hours and then being placed in normal condition for 2 hours. Allowable variation of SPL after test: $\pm 10\text{dB}$.
4	Temperature Cycle Test	<p>The part shall be subjected to 5 cycles. One cycle shall be consist of:</p> <p>Allowable variation of SPL after test: $\pm 10\text{dB}$.</p>
5	Drop Test	Drop on a hard wood board of 4cm thick, any directions ,6 times, at the height of 75cm . Allowable variation of SPL after test: $\pm 10\text{dB}$.
6	Vibration Test	After being applied vibration of amplitude of 1.5mm with 10 to 55 Hz band of vibration frequency to each of 3 perpendicular directions for 2 hours . Allowable variation of SPL after test: $\pm 10\text{dB}$.
7	Solderability Test	Lead terminals are immersed in rosin for 5 seconds and then immersed in solder bath of $+300\pm 5^{\circ}\text{C}$ for 3 ± 1 seconds . 90% min. lead terminals shall be wet with solder (Except the edge of terminals).
8	Terminal Strength Pulling Test	The force of 9.8N(1.0kg) is applied to each terminal in axial direction for 10 seconds. No visible damage and cutting off.

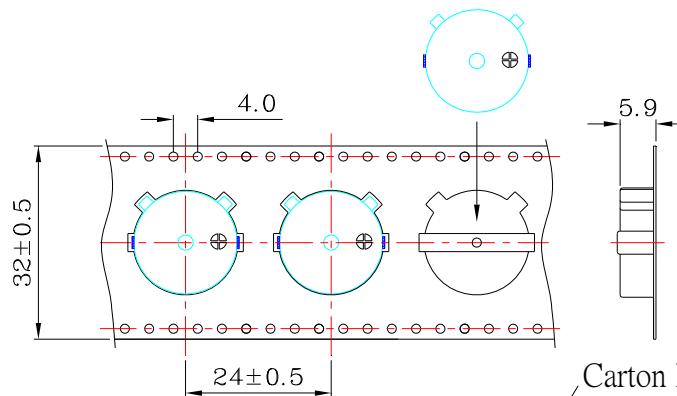


Elektrotechnik Karl-Heinz Mauz GmbH

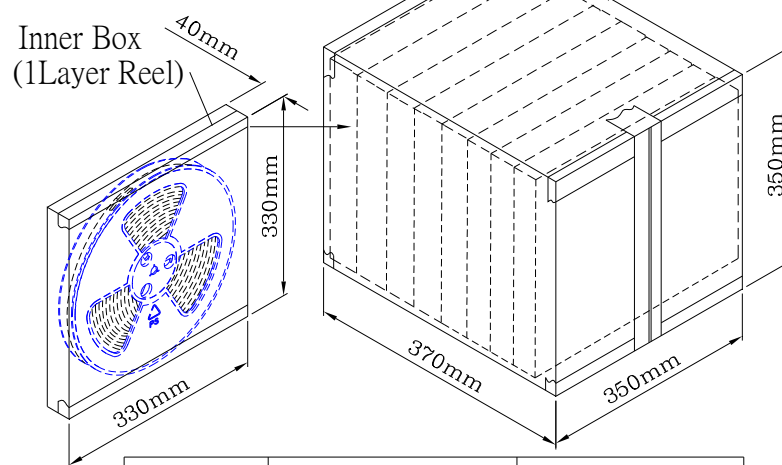
EKULIT



1 Reel : 400PCS



Carton Box
(8 Inner Box)



Inner Box	330mmx330mmx30mm	1x400PCS=400PCS
Carton Box	350mmx350mmx370mm	8x400PCS=3200PCS