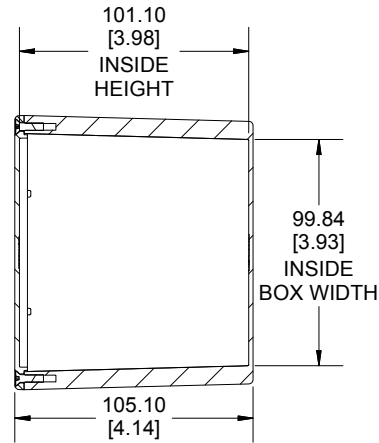


TOP VIEW



**SECTION A-A
END VIEW**



Enclosures can be Factory Modified (Milling, Drilling, Printing etc.)
 Contact Factory mjm@hammondmfg.com for quotes
 Solid models of this enclosure available in STEP or IGES.

NOTE	
Purchased assembly includes box, lid and 6 cover screws.	
Box and lid are made from Diecast Aluminum Alloy.	
EVA Gasket supplied with liquid resistant enclosure.	

PART NUMBERS

1550F Enclosure	
Natural Finish Enclosure	1550F
Black Textured Enclosure	1550FBK
1550F Liquid Resistant Enclosure (EVA Gasket)	
Natural Finish Enclosure	1550WF
Black Textured Enclosure	1550WFBK

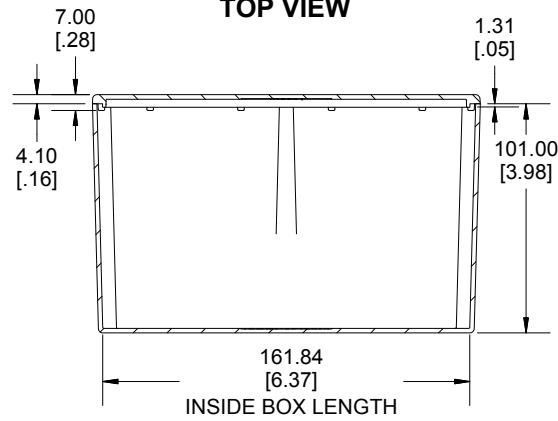
ACCESSORIES

Recommended Torque: 75 ozf.in / 55 cN.m	
Standard Cover Screws	
Plated Cover Screws (Pkg 100) [M3.5-0.6 x 12mm]	1550MS100
Black Cover Screws (Pkg 100) [M3.5-0.6 x 12mm]	1550MS100BK
EVA Pre-formed Gasket Black	1550EEGASKET
Silicone Pre-formed Gasket Black	1550ESGASKET

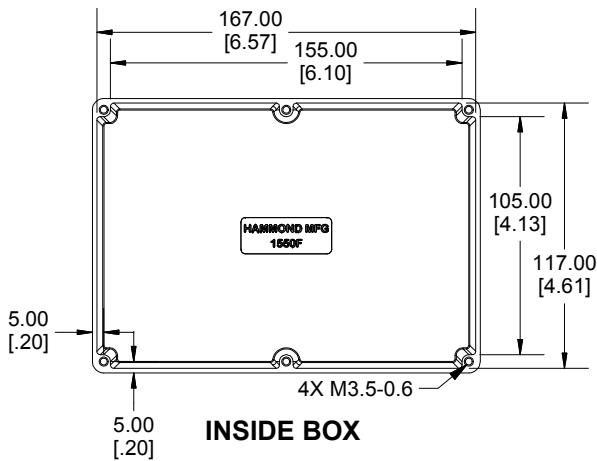
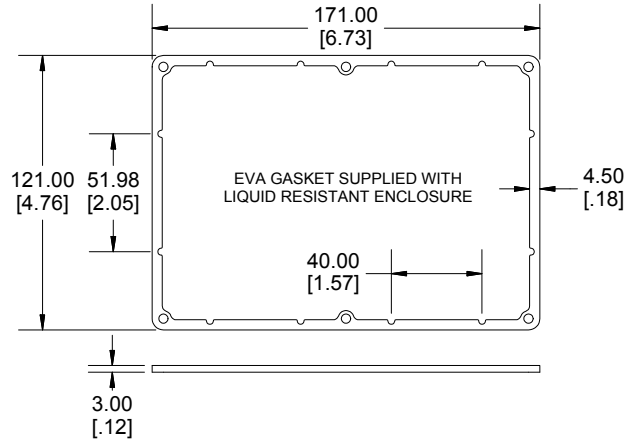
**HAMMOND
MANUFACTURING®**

1550F

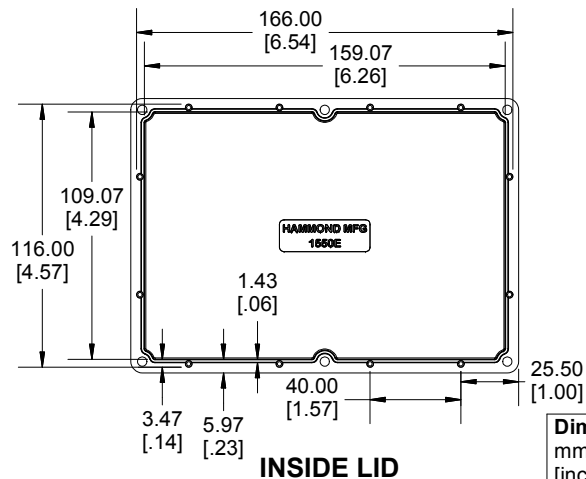
www.hammondmfg.com



**SECTION B-B
SIDE VIEW**



INSIDE BOX



INSIDE LID

Dimensions:
mm
[inches]