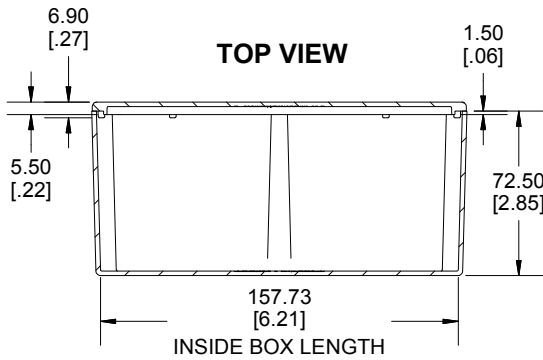
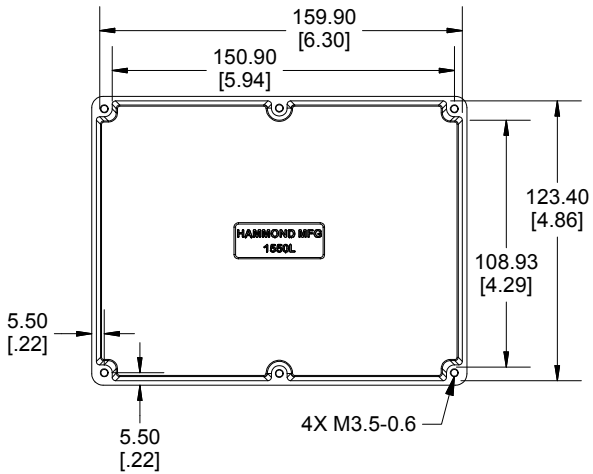
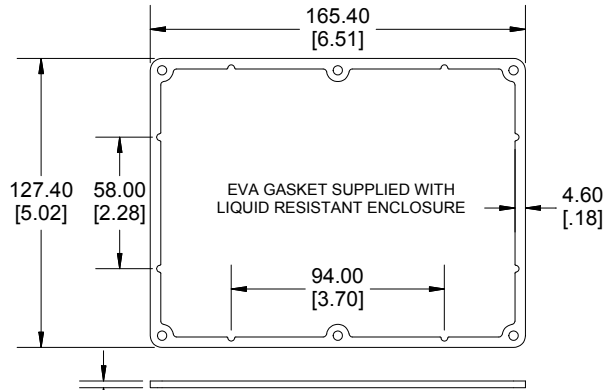


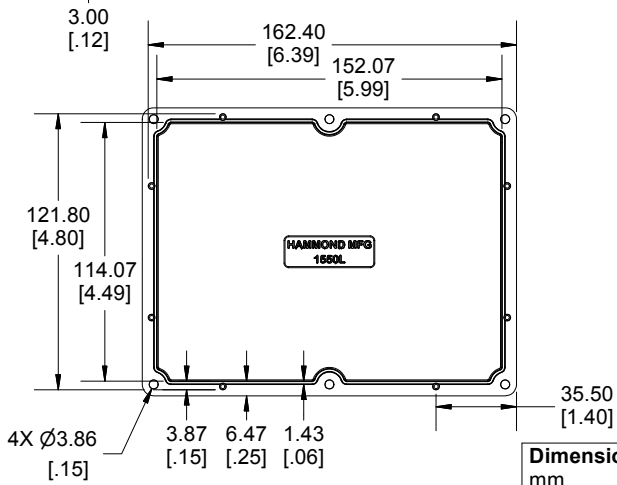
**SECTION A-A
END VIEW**



**SECTION B-B
SIDE VIEW**



INSIDE BOX



INSIDE LID

Dimensions:
mm
[inches]

Enclosures can be Factory Modified (Milling, Drilling, Printing etc.)
Contact Factory mjm@hammondmfg.com for quotes
Solid models of this enclosure available in STEP or IGES.

NOTE

Purchased assembly includes box, lid and 6 cover screws.
Box and lid are made from Diecast Aluminum Alloy.
EVA Gasket supplied with liquid resistant enclosure.

PART NUMBERS

1550L Enclosure

Natural Finish Enclosure	1550L
Black Textured Enclosure	1550LBK
1550L Liquid Resistant Enclosure (EVA Gasket)	
Natural Finish Enclosure	1550WL
Black Textured Enclosure	1550WLBK

ACCESSORIES

Recommended Torque: 75 ozf.in / 55 cN.m

Standard Cover Screws

Plated Cover Screws (Pkg 100) [M3.5-0.6 x 12mm]	1550MS100
Black Cover Screws (Pkg 100) [M3.5-0.6 x 12mm]	1550MS100BK
EVA Pre-formed Gasket Black	1550LEGASKET
Silicone Pre-formed Gasket Black	1550LSGASKET

**HAMMOND
MANUFACTURING®**
1550L
www.hammondmfg.com