

Plug-in sockets and accessories

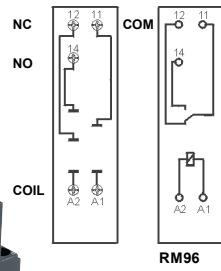
ES 32

For RM96 1 CO

Screw terminals
Max. tightening moment
for the terminal: 0,5 Nm
35 mm rail mount
acc. to EN 60715
or on panel mounting
75 x 15,5 x 42,5(59) mm ②
One pole, 3,2 mm pinout
12 A, 300 V AC



Connection diagrams



MS 16 GZMB80-0040



TR



Module type M...

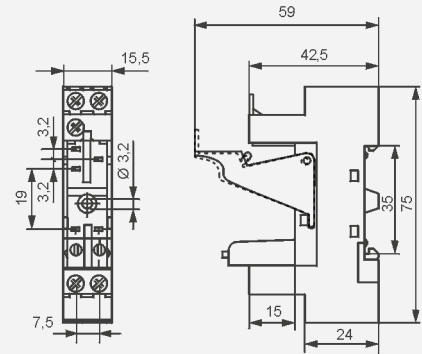


ZGGZ80



GZM80-0041

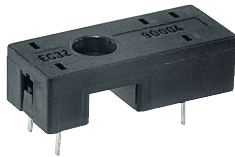
Dimensions



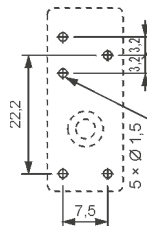
EC 32

For PCB

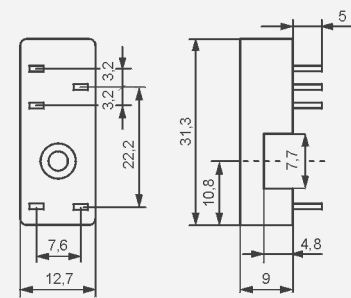
31 x 12,7 x 9 mm
One pole, 3,2 mm pinout
12 A, 300 V AC



Pinout



Dimensions



Accessories ①



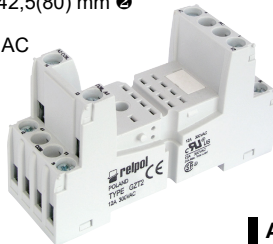
MP16-2

MH16-2

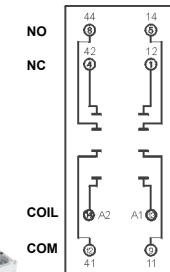
GZT2

For R2N

Screw terminals
Max. tightening moment
for the terminal: 0,7 Nm
35 mm rail mount
acc. to EN 60715
or on panel mounting
76,3 x 27 x 42,5(80) mm ②
Two poles
12 A, 300 V AC



Connection diagram



ZGGZ4

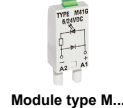


GZT4-0040

G4 1052

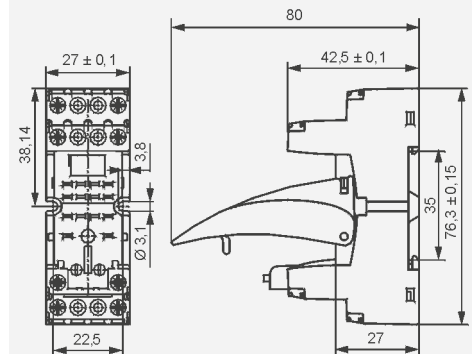


GZT4-0035



Module type M...

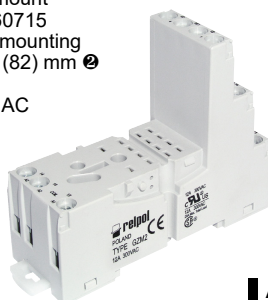
Dimensions



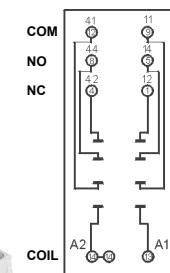
GZM2

For R2N

Screw terminals
Max. tightening moment
for the terminal: 0,7 Nm
35 mm rail mount
acc. to EN 60715
or on panel mounting
75 x 27 x 61(82) mm ②
Two poles
12 A, 300 V AC



Connection diagram



ZGGZ4

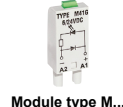


GZT4-0040

G4 1052

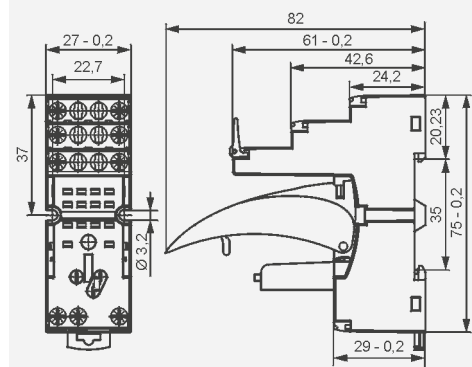


GZT4-0035



Module type M...

Dimensions



① Mounting and sub-assemblies of accessories in the socket - see page 16. Signalling / protecting modules type M... - see page 17.
② In the bracket the height of socket with retainer / retractor clip is shown.