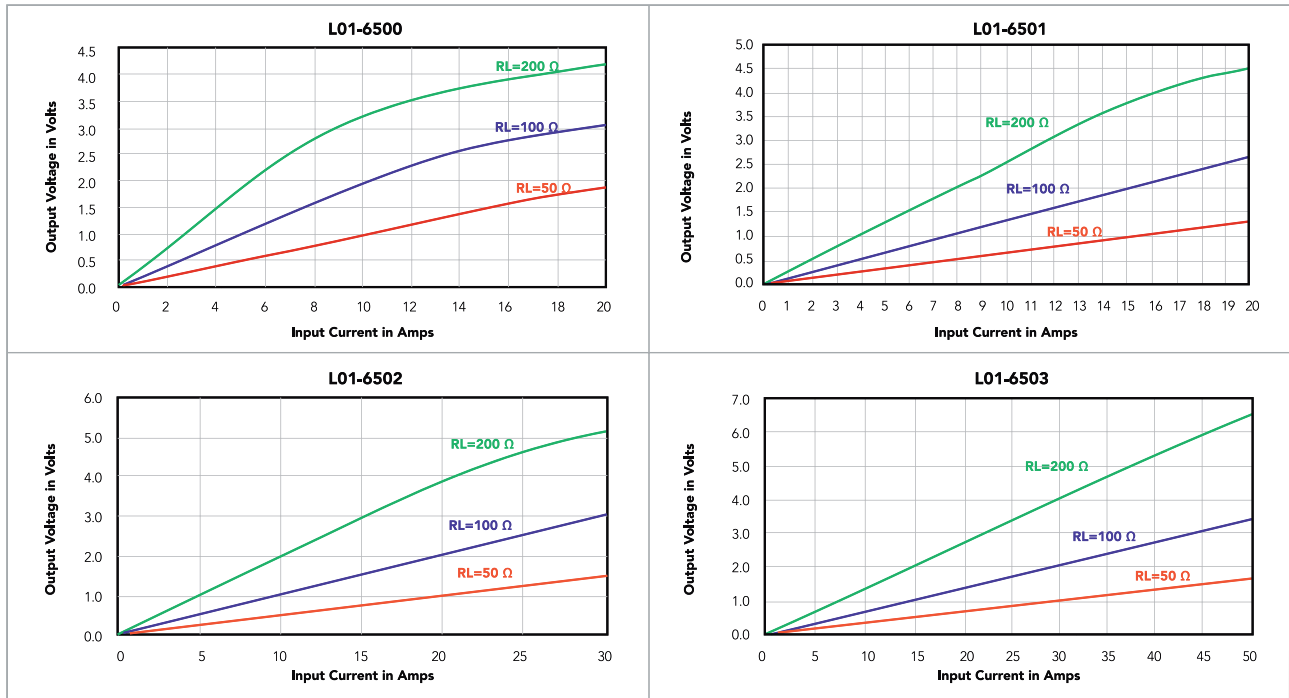
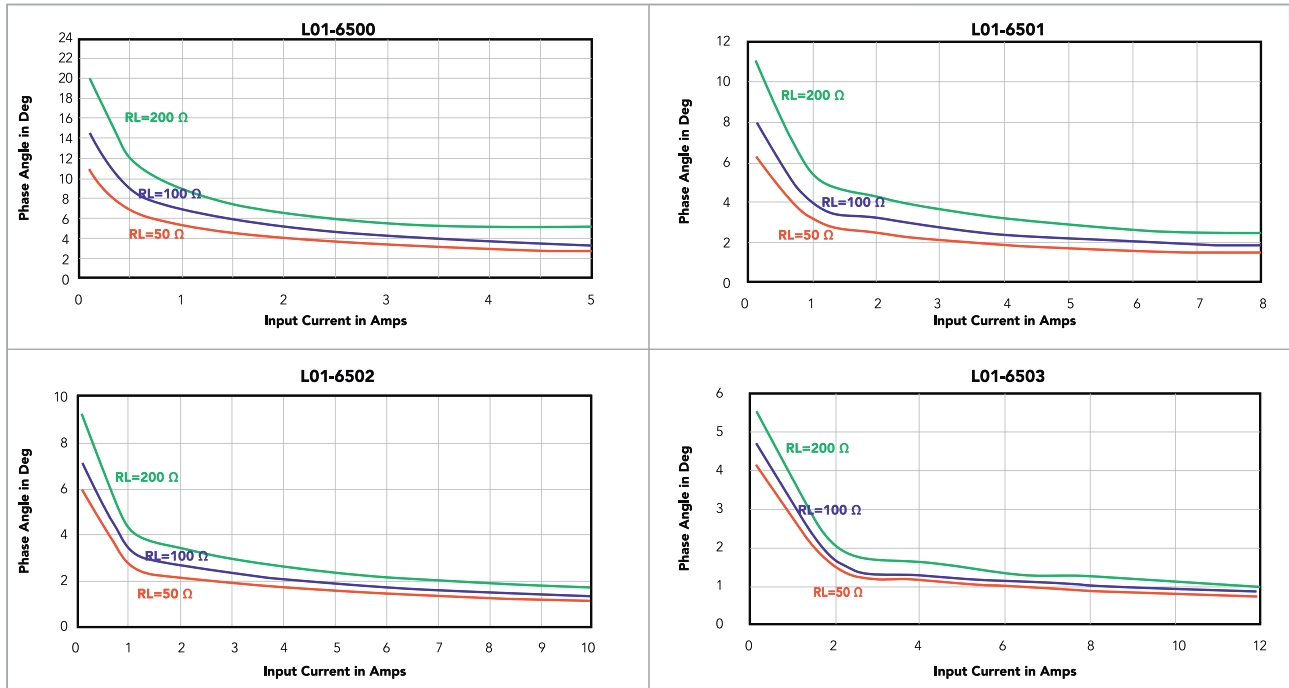


SATURATION CURRENT RESPONSE



Phase Angle Vs Primary Current



Product innovation is a part of continuous development hence specifications are subject to change without notice

HIGH OUTPUT - CURRENT TRANSFORMER

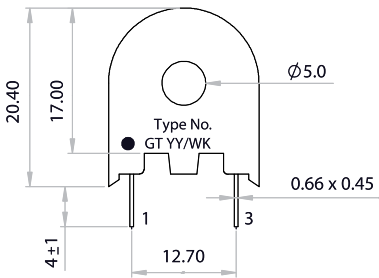
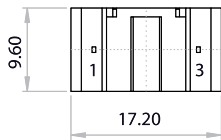


Features:

- ◆ Primary Current Range from 5A to 15A
- ◆ Operating Frequency 50 / 60Hz
- ◆ Higher Output voltage
- ◆ Higher Saturation Current
- ◆ Dielectric Withstand Voltage 2.5kVrms
- ◆ Operating temperature range -40°C to +120°C
- ◆ Encapsulated & PCB Mountable
- ◆ All materials are UL approved



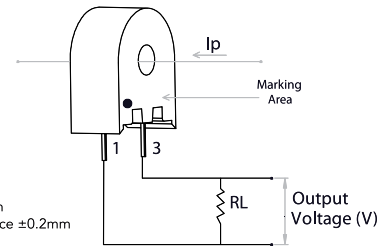
Mechanical Drawing



| Electrical Specification @ 20°C | | | |
|---------------------------------|-------------|------------------------|-------------------------|
| Part Number | Turns Ratio | Current Rating in Amps | Winding Resistance in Ω |
| L01-6500 | 500:1 | 5.0 | 41 |
| L01-6501 | 750:1 | 7.5 | 58 |
| L01-6502 | 1000:1 | 10.0 | 109 |
| L01-6503 | 1500:1 | 15.0 | 117 |

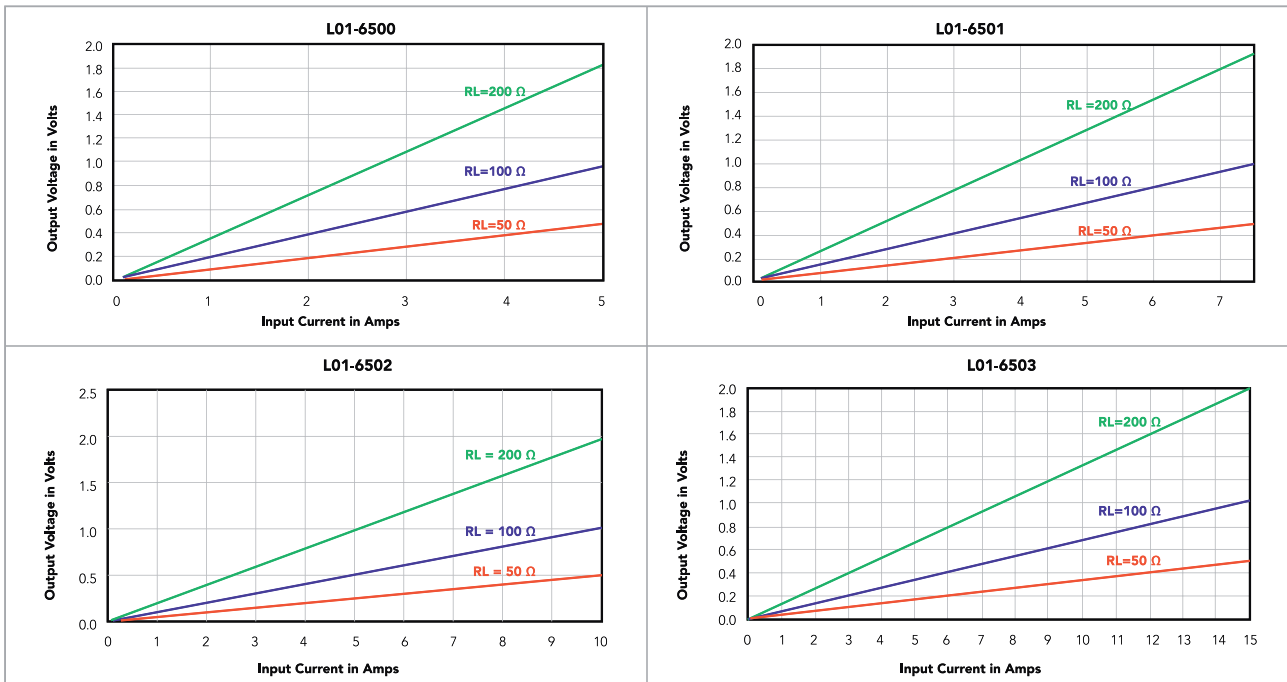
Application :

- ◆ Metering and energy Management
- ◆ Control Panel and Power Monitoring



All Dimensions are in mm
Linear dimension tolerance ±0.2mm

Input Current Vs Output Voltage



HIGH ACCURACY - CURRENT TRANSFORMER

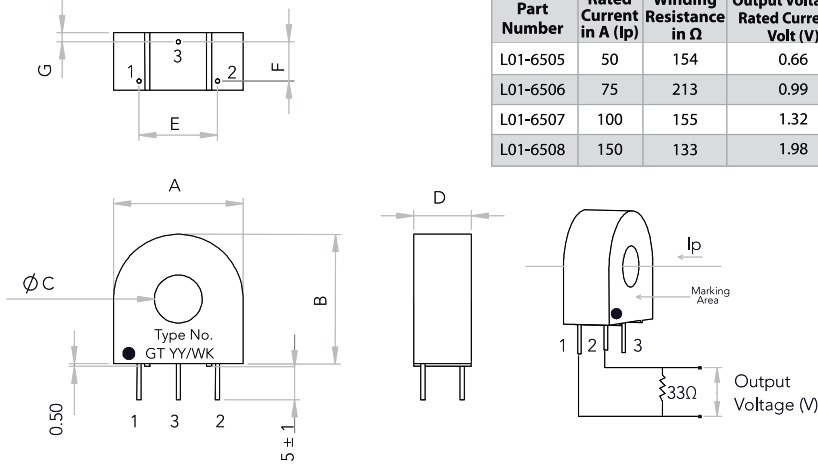


Features:

- ◆ Primary Current Range from 50A to 150A
- ◆ Operating Frequency 50 / 60Hz
- ◆ Class 1 Accuracy (5% to 120% of rated primary current)
- ◆ Rated Burden $R_L = 33\Omega$
- ◆ Dielectric withstand Voltage 4kVrms
- ◆ Operating temperature range -40°C to $+85^\circ\text{C}$
- ◆ Encapsulated & PCB Mountable
- ◆ All materials are UL approved



Mechanical Drawing

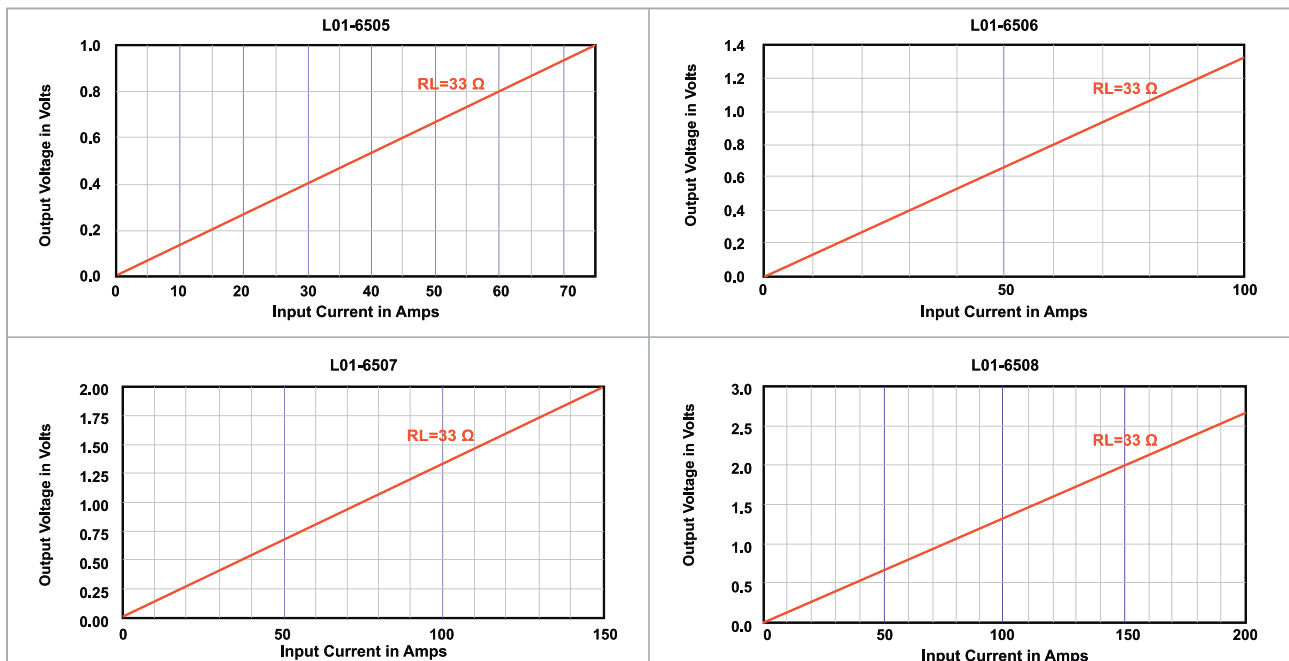


| Part Number | Electrical Specification @ 20°C | | | Dimensions | | | | | | | |
|-------------|---------------------------------|--------------------------------|--|------------|-------|-----------------|-------|-------|-------|------|------------------------|
| | Rated Current in A (Ip) | Winding Resistance in Ω | Output Voltage @ Rated Current in Volt (V) | A | B | $\varnothing C$ | D | E | F | G | Pins (\varnothing) |
| L01-6505 | 50 | 154 | 0.66 | 23.80 | 23.80 | 9.50 | 11.20 | 15.24 | 7.62 | 1.75 | 0.80 |
| L01-6506 | 75 | 213 | 0.99 | 30.20 | 30.20 | 11.40 | 14.30 | 20.32 | 10.16 | 2.08 | 1.00 |
| L01-6507 | 100 | 155 | 1.32 | 34.90 | 34.90 | 14.60 | 14.30 | 25.40 | 10.16 | 2.08 | 1.00 |
| L01-6508 | 150 | 133 | 1.98 | 38.10 | 38.10 | 14.60 | 15.90 | 33.00 | 10.16 | 2.85 | 1.00 |

Note :

- ◆ Dimension Unit : mm
- ◆ Dimension Tolerance : $\pm 0.25\text{mm}$ (Unless specified)
- ◆ Pin Pitch Tolerance : $\pm 0.1\text{mm}$
- ◆ Pin 3 for Mechanical Support only

Input Current Vs Output Voltage



Product innovation is a part of continuous development hence specifications are subject to change without notice.

HIGH PRECISION - CURRENT TRANSFORMER

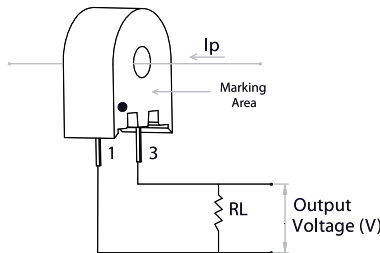
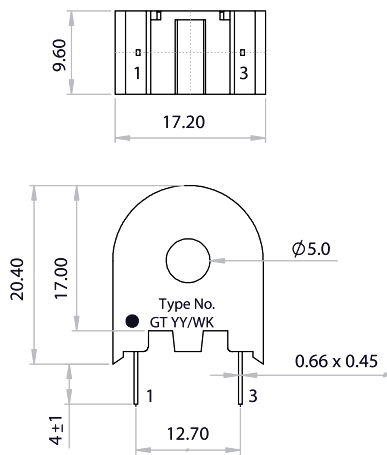


Features:

- ◆ Primary Current Range 10A and 15A
- ◆ Operating Frequency 50 / 60Hz
- ◆ Class 0.2 Accuracy typical
- ◆ Dielectric Withstand Voltage 2.5kVrms
- ◆ Operating temperature range -40°C to +85°C
- ◆ Encapsulated & PCB Mountable
- ◆ All materials are UL approved



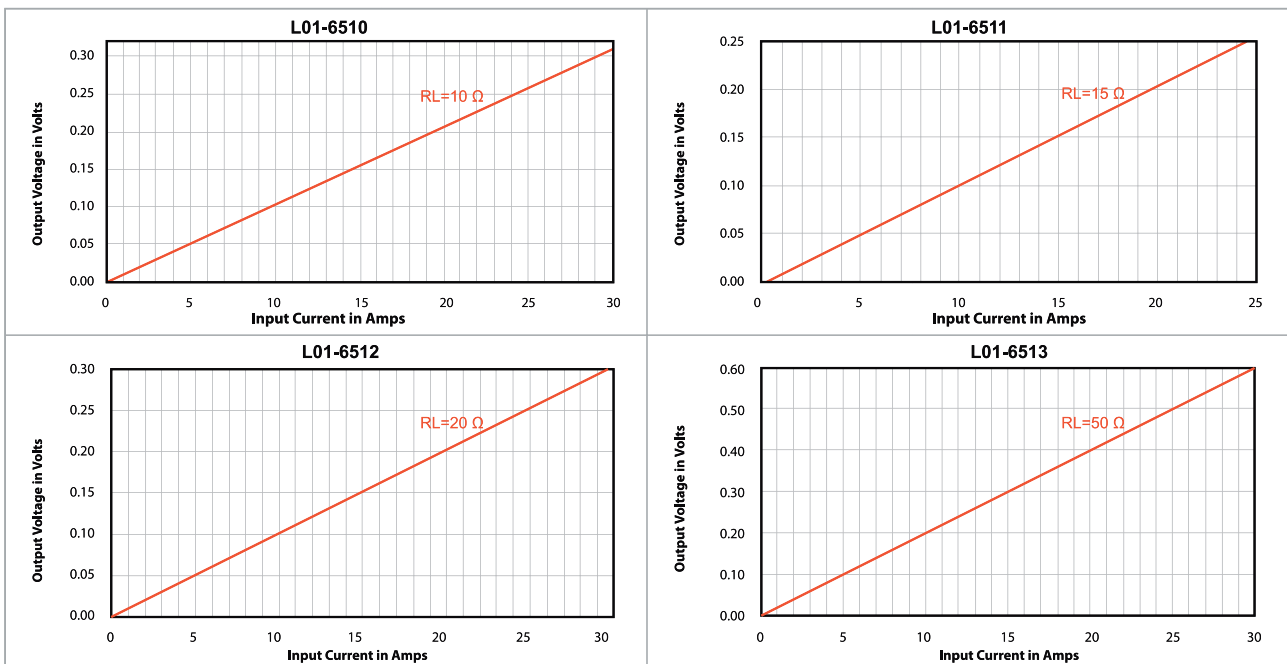
Mechanical Drawing



All Dimensions are in mm
Linear dimension tolerance ±0.2mm

| Electrical Specification @ 20°C | | | | | |
|---------------------------------|-------------|------------|-----------------------|----------------------|-----------------------------|
| Type Number | Turns Ratio | Burden (Ω) | Rated Current in Amps | Max. Current in Amps | Winding Resistance (Ω) Max. |
| L01-6510 | 1000:1 | 10 | 10 | 20 | 60 |
| L01-6511 | 1500:1 | 15 | 10 | 20 | 93 |
| L01-6512 | 2000:1 | 20 | 15 | 25 | 222 |
| L01-6513 | 2500:1 | 50 | 15 | 25 | 290 |

Input Current Vs Output Voltage



Product innovation is a part of continuous development hence specifications are subject to change without notice