
**■ Features :**

- DC/DC step-down converter
- Constant current output: 350mA to 1400mA
- Wide input voltage: 6 ~ 50VDC  
Wide output LED string voltage: 3 ~ 45VDC
- High efficiency up to 95%
- Built-in EMI filter, comply with EN55015 without additional input filter and capacitors
- DALI dimming function input under voltage lockout
- Built-in PWM and remote ON/OFF control(pin style only, wire style optional)
- Protections: Short circuit
- Cooling by free air convection
- Fully encapsulated with IP65 level
- Compact size
- Suitable for driving illumination LED
- 3 years warranty



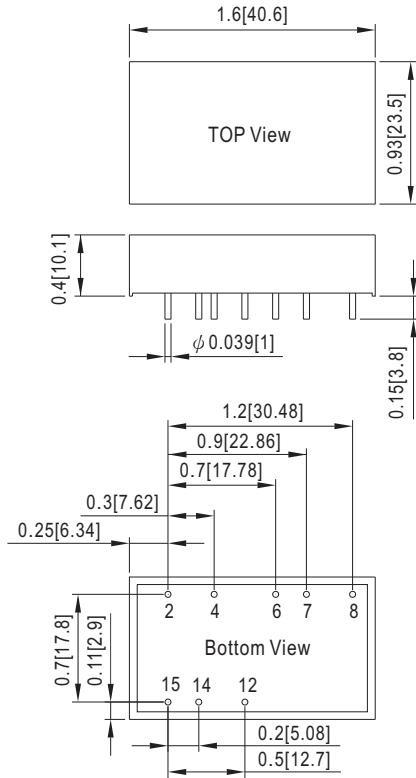
LDD-350H- DA    Blank : pin style  
                    W        : wire style

**SPECIFICATION**

ORDER NO.	LDD-350H- <input type="checkbox"/> DA		LDD-700H- <input type="checkbox"/> DA		LDD-1050H- <input type="checkbox"/> DA		LDD-1400H- <input type="checkbox"/> DA			
OUTPUT	CURRENT RANGE	350mA		700mA		1050mA		1400mA		
	VOLTAGE RANGE    Note.4	3 ~ 45VDC								
	CURRENT ACCURACY (Typ.)	±5% at 48VDC input								
	RIPPLE & NOISE(max.) Note.2	300mVp-p		500mVp-p		500mVp-p		500mVp-p		
	SWITCHING FREQUENCY (Typ.)	500KHz								
EXTERNAL CAPACITANCE LOAD (max.)	1400uF									
INPUT	VOLTAGE RANGE	6 ~ 50VDC						6 ~ 40VDC		
	EFFICIENCY (max.)	95% at full load and 48VDC input								
	DC CURRENT	Full load    Note.3	275mA		550mA		825mA		1280mA	
		No load	5mA							
FILTER	Capacitor									
PWM DIMMING & ON/OFF CONTROL (PIN STYLE ONLY)	REMOTE ON/OFF	Leave open if not use								
		Power ON with dimming: DIM ~ -Vin >1.2 ~ 5VDC or open circuit, max. operation voltage 5.5VDC								
	Power OFF : DIM ~ -Vin <0.1VDC or short									
PWM FREQUENCY	200 ~ 1KHz									
QUIESCENT INPUT CURRENT IN SHUTDOWN MODE(max.)	1mA at PWM dimming OFF and 24VDC input									
ANALOG DIMMING & ON/OFF CONTROL (PIN STYLE ONLY)	REMOTE ON/OFF	Leave open if not use								
		Power ON with dimming: Analog DIM ~ -Vin >0.1 ~ 2.5VDC or open circuit, max. operation voltage 5.5VDC								
	Power OFF : Analog DIM ~ -Vin <0.1VDC or short									
PROTECTION	SHORT CIRCUIT	Regulated at rated output current								
	Protection type: Can be continued, recovers automatically after fault condition is removed									
	INPUT VOLTAGE LOCKOUT	Start up	4.2VDC							
Shut-down		3.8VDC								
ENVIRONMENT	WORKING TEMP.	-40 ~ + 85°C (Refer to derating curve)								
	WORKING HUMIDITY	20% ~ 90% RH non-condensing								
	STORAGE TEMP., HUMIDITY	-55 ~ +125°C, 10 ~ 95% RH non-condensing								
	TEMP. COEFFICIENT	±0.03% / °C								
	VIBRATION	10 ~ 500Hz, 2G 10min./1 cycle, period for 60min. each along X, Y, Z axes								
OPERATING CASE TEMP. (max.)	100°C									
EMC	EMC EMISSION	Compliance to EN55015								
	EMC IMMUNITY	Compliance to EN61547, EN61000-4-2,3,4,6,8, light industry level, criteria A								
OTHERS	MTBF	1.6Mhrs min. MIL-HDBK-217F (25°C)								
	DIMENSION	40.6*23.5*10.1mm or 1.6**0.93**0.40" inch (L*W*H)								
	WEIGHT	LDD-H-DA:18g ; LDD-H-WDA:23g								
	POTTING MATERIAL	Epoxy(UL94-V0)								
NOTE	1.All parameters are specified at normal input(48VDC), rated load, 25°C 70% RH ambient. 2.Ripple & noise are measured at 20MHz by using a 12" twisted pair terminated with a 0.1uf capacitor. 3.Test condition: 48VDC input for 350~1050mA, 28VDC input for 1400mA. 4.Output voltage will always step down by 3 volts from input DC voltage. 5.The output of LDD-H should not be connected to the input of the same unit or output from other sources.									

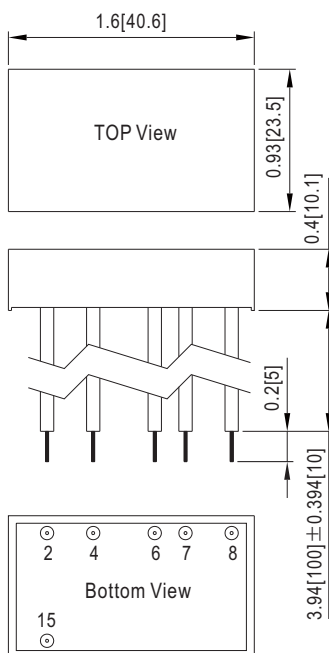
### Mechanical Specification

◎ Pin style(LDD- 350H~1400H – DA):



NOTE: Pin tolerance  $\pm 0.05\text{mm}$

◎ Wire style(LDD – 350H~1400H-WDA):



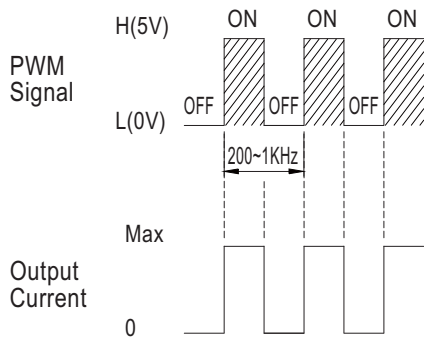
NOTE: Wire range is 16~24AWG

### Pin Configuration

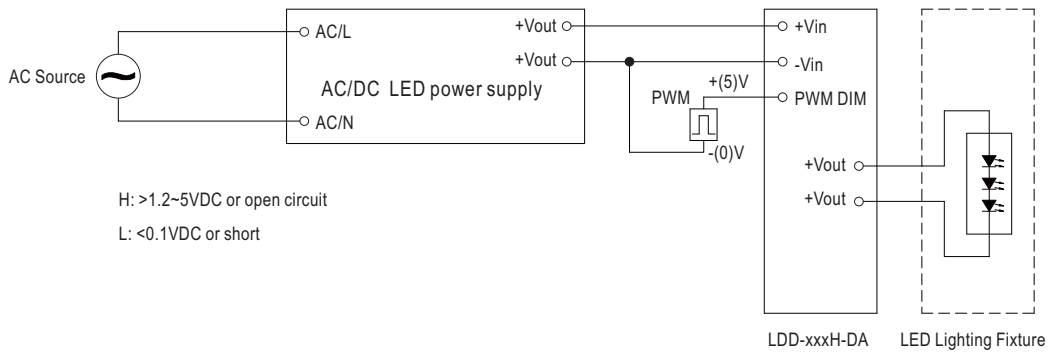
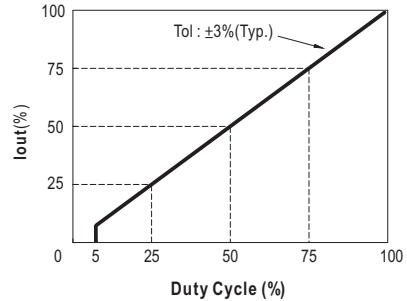
Pin No.		Comment
2	+Vin	DC supply
4	+Vout	LED+ connection
6	-Vout	LED- connection
7	DA	Connect to DALI Controller
8	DA	
12	Analogue DIM	Analogue Dimming
14	PWM DIM	PWM Dimming
15	-Vin	DC supply, Don't connect to -Vout

Pin No.		Comment
2	+Vin (Red)	DC supply
4	+Vout (Yellow)	LED+ connection
6	-Vout (Blue)	LED- connection
7	DA (Brown)	Connect to DALI Controller
8	DA (Brown)	
15	-Vin (Black)	DC supply, Don't connect to -Vout

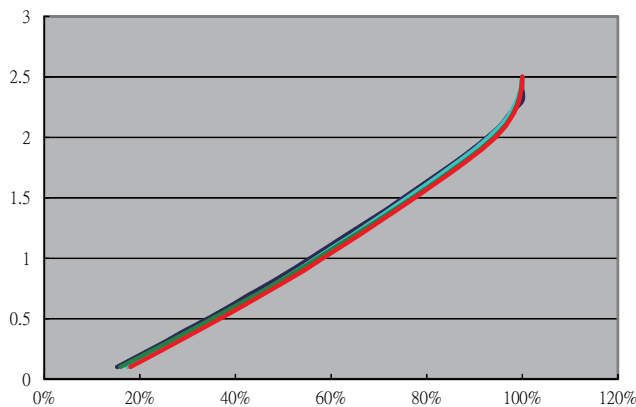
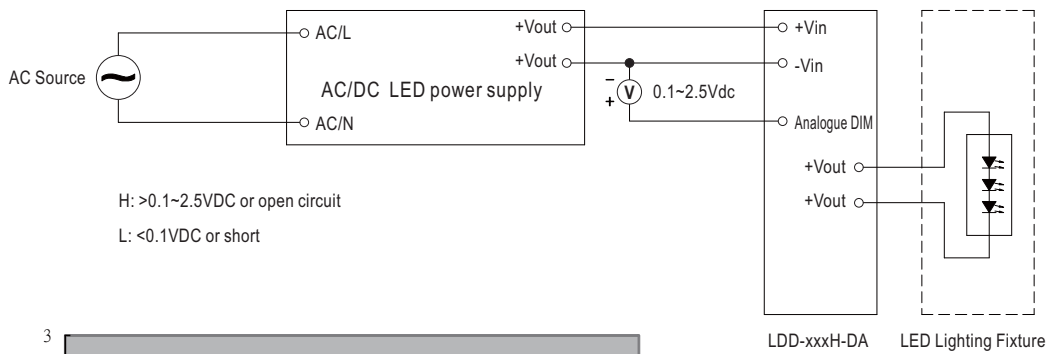
### ■ PWM Dimming Control & Diagram(pin style only, wire style optional)



⊙ During PWM dimming operation, the output current will change to PWM style.



### ■ Analogue Dimming Control & Diagram(pin style only, wire style optional)



## ■ Efficiency VS Output Voltage(Number of LEDs)

Fig-1 12VDC input, 1~3 LEDs(Vf=3V)

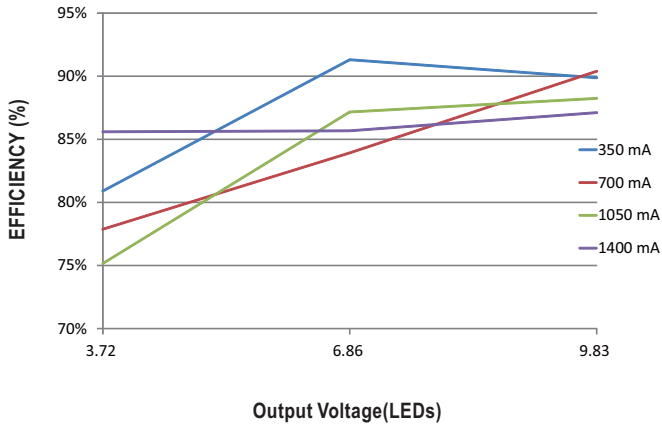


Fig-2 24VDC input, 1~7 LEDs(Vf=3V)

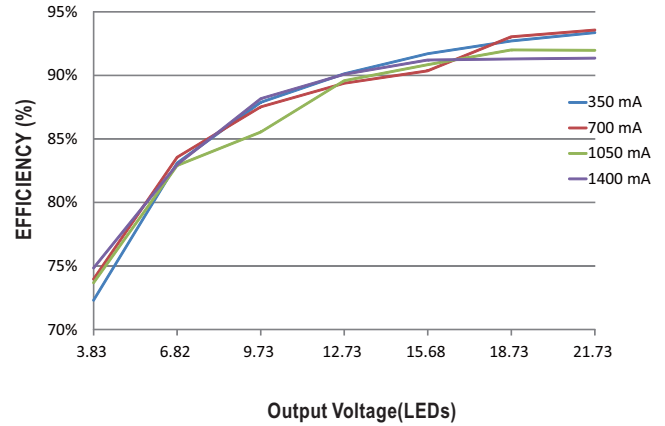


Fig-3 36VDC input, 1~11 LEDs(Vf=3V)

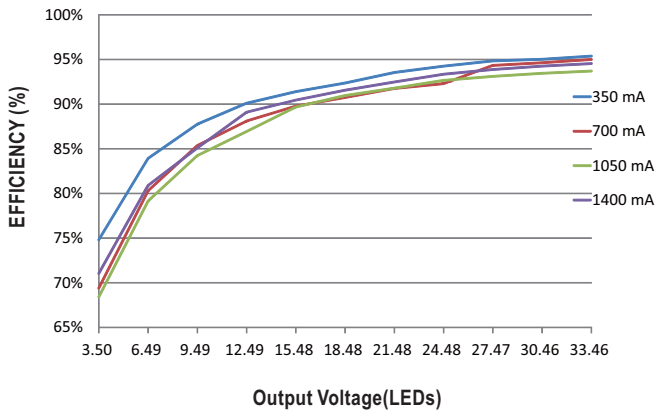
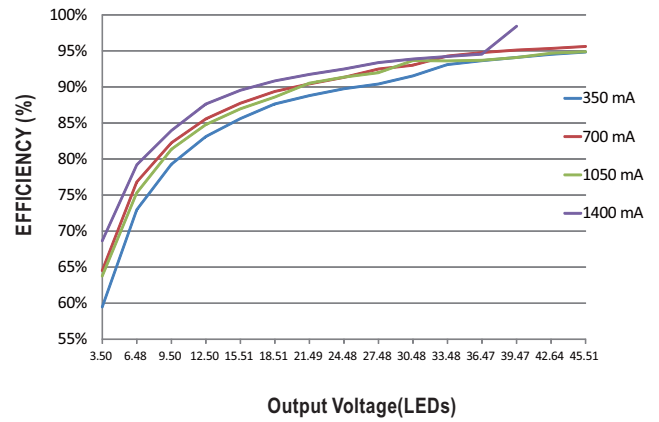


Fig-4 48VDC input, 1~15 LEDs(Vf=3V)



## ■ Derating Curve

