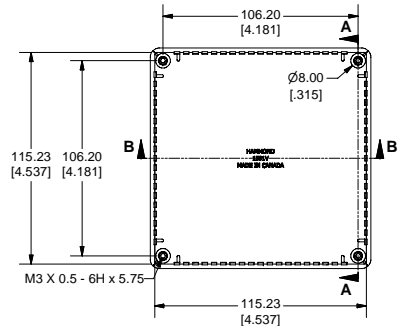
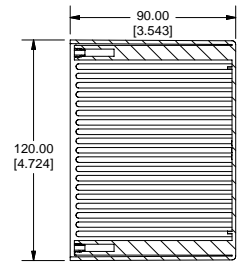


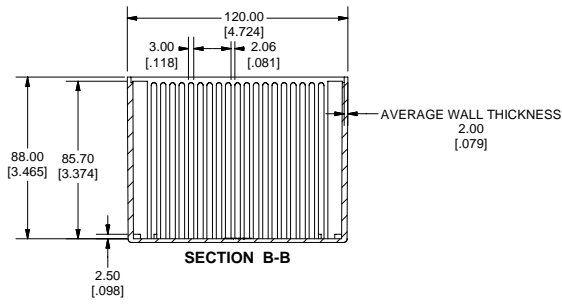
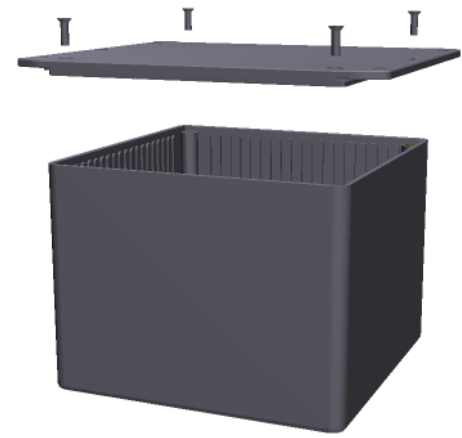
SIDE VIEW OF ASSEMBLY



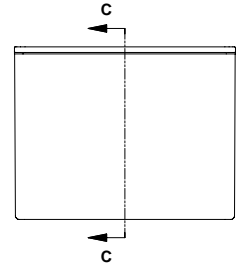
TOP VIEW OF ASSEMBLY



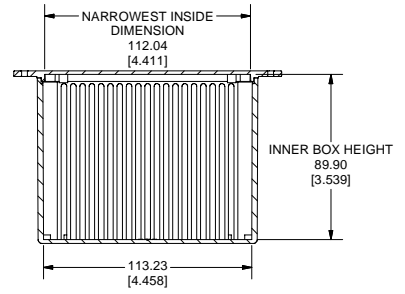
SECTION A-A



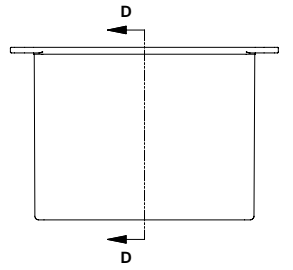
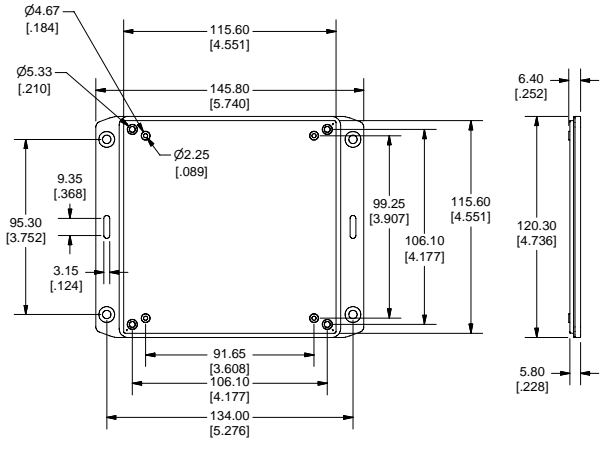
SECTION B-B



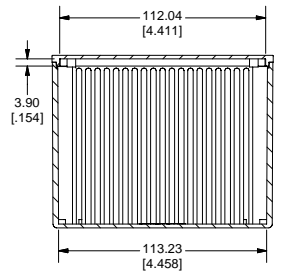
END VIEW OF ENCLOSURE



SECTION C-C



SIDE VIEW OF ASSEMBLY



SECTION D-D

Note:
Enclosures can be Factory Modified (Milling, Drilling, Printing etc.)
Contact Factory mjm@hammondmfg.com for quotes
Solid models of this enclosure available in STEP or IGES Format.

PART NUMBERS		
1591VFL Flanged Lid Enclosures		
Material	Colour	Part Number
FR ABS	Black	1591VFLBK
UL94 - V0	Grey	1591VFLGY
GP ABS	Black	1591VSFLBK
Accessories		
Description	Part Number	
PC Board Card Adapters	See Accessories Section	
Clear Lids - clear, flame retardant polycarbonate - Lid ONLY	1591VC	
FR ABS Replacement Screws, Flat Head Phillips	1591MS100	
Nickel Plated Pkg of 100	1591MS100BK (Black)	
GP ABS Self Tapping Pkg of 100	1591TS100	
	1591TS100BK (Black)	
Recommended Torque on Fasteners (no lubrication)		
M3 - 0.5 x 10mm Screws	30-40 cN*m	
#4 x 0.5 Screws	30-40 cN*m	

HAMMOND MANUFACTURING™
1591VFL
www.hammondmfg.com