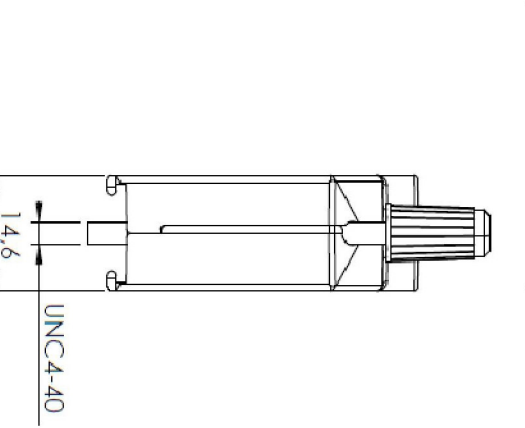
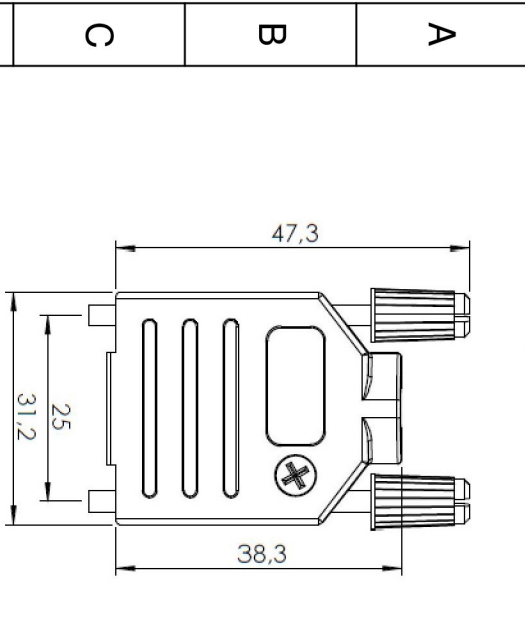


1	2	3	4	5	6	7
---	---	---	---	---	---	---

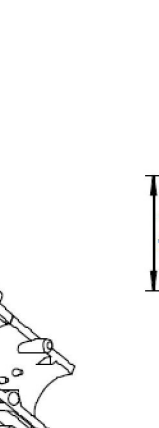


- Material**  
Zinc die-cast
- Delivery includes**
- |   |                              |      |
|---|------------------------------|------|
| 1 | half-shells                  | (2x) |
| 2 | knurledge screws             | (2x) |
| 3 | screw                        | (1x) |
| 4 | half shells of strain relief | (8x) |

**SPECIFICATION MATERIAL Features**

**Material and finish**  
Zinc-die-cast, nickel plated

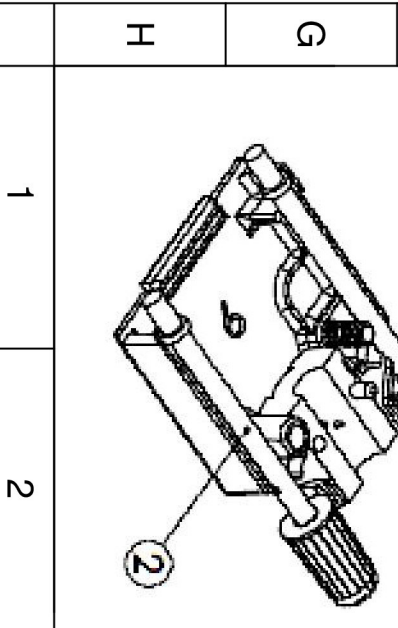
**Temperature range**  
-40° to +120°



④ **Cable diameter**  
4.0mm - 13.0mm

**Attenuation factor**  
>40 dB between  
30Mhz and 1Ghz

**Requirements**  
VDE 0871, FCC 20780,  
89/336/EU

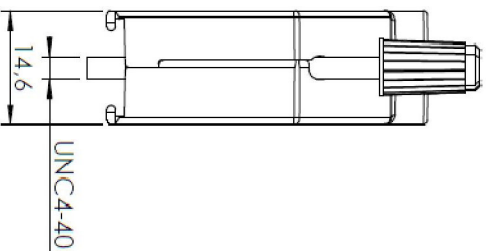
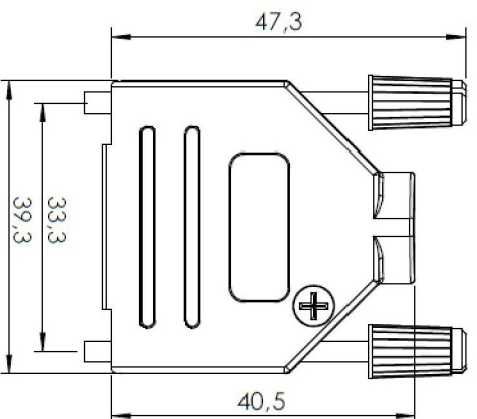


④	changed cable Ø	21.09.2015	A. Plate	Drawn	18.12.04	Ken
③	update of detailed specification. added sheets	28.02.2014	A. Sizozios	Approved	25.09.08	W.Hellwig
②	Sheet 2 added	25.09.08	N.Schulz			
①	drawing revised	04.07.07	N.Schulz			
Modification		Date	Name			

Title		AMET-09 RS
Drawing-No.	ASS 0420 CO	Sheet rev04
Replace		Sheet 1/5

H	G	F	E	D	C	B	A
---	---	---	---	---	---	---	---

1	2	3	4	5	6	7
---	---	---	---	---	---	---



- Material**  
Zinc die-cast
- Delivery includes**
- |   |                              |      |
|---|------------------------------|------|
| 1 | half-shells                  | (2x) |
| 2 | knurledge screws             | (2x) |
| 3 | screw                        | (1x) |
| 4 | half shells of strain relief | (8x) |

**SPECIFICATION**  
**MATERIAL**  
**Features**

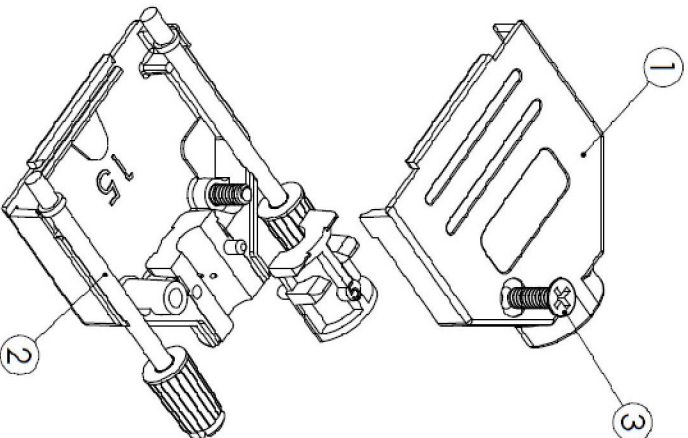
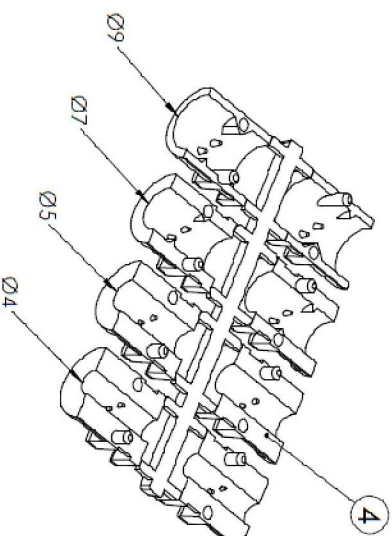
**Material and finish**  
Zinc-die-cast, nickel plated

**Temperature range**  
-40° to +120°

④ **Cable diameter**  
4.0mm - 13.0mm

**Attenuation factor**  
>40 dB between  
30Mhz and 1 Ghz

**Requirements**  
VDE 0871, FCC 20780,  
89/336/EU



④	changed cable Ø	21.09.2015	A. Plate	Drawn	18.12.04	Ken
③	update of detailed specification. added sheets	28.02.2014	A. Siozios	Approved	25.09.08	W.Hellwig
②	Sheet 2 added	25.09.08	N.Schulz			
①	drawing revised	04.07.07	N.Schulz			
Modification		Date	Name			

**ASSMANN**  
components

**Title**  
**AMET-15 RS**

**Drawing-No.**  
**ASS 0420 CO**

**Sheet**  
rev04

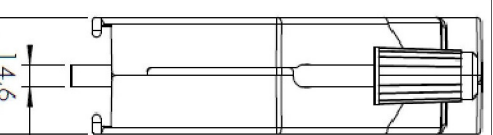
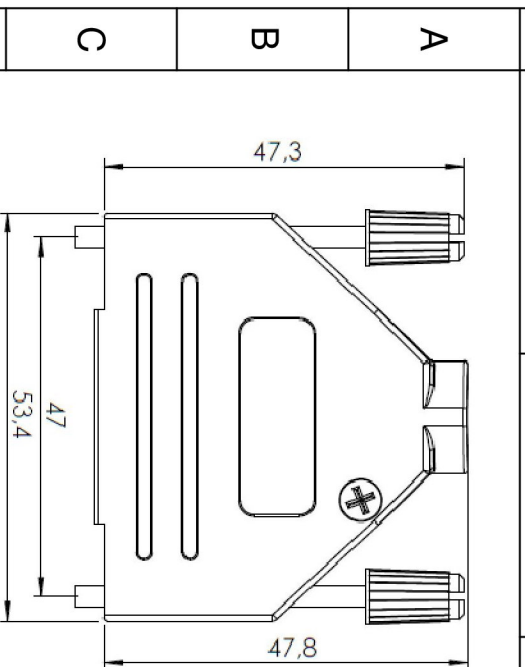
**Replace**  
Sheet  
2/5

1	2	3	4	5	6	7
---	---	---	---	---	---	---

H	G	F	E	D	C	B	A
---	---	---	---	---	---	---	---

H	G	F	E	D	C	B	A
---	---	---	---	---	---	---	---

1	2	3	4	5	6	7
---	---	---	---	---	---	---



**Material**  
Zinc die-cast

**Delivery includes**

- 1 half-sheets (2x)
- 2 knurledge screws (2x)
- 3 screw (1x)
- 4 half shells of strain relief (8x)

**SPECIFICATION MATERIAL Features**

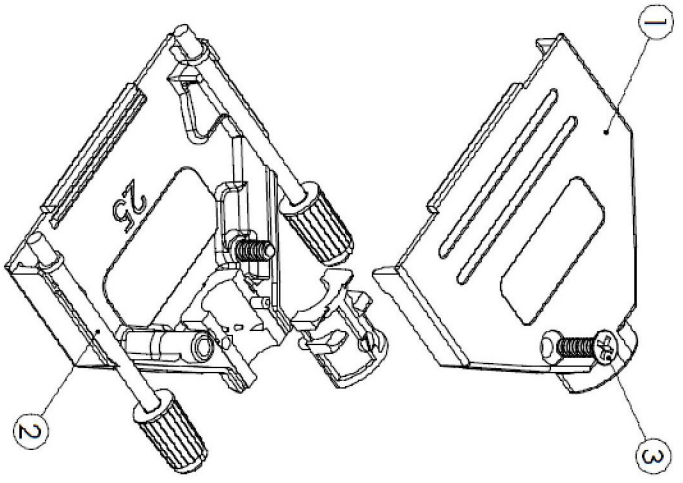
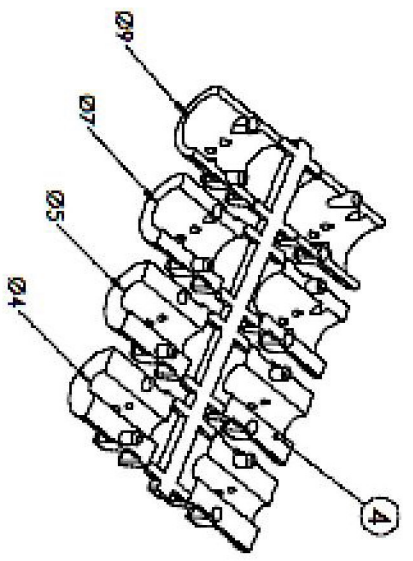
**Material and finish**  
Zinc-die-cast, nickel plated



**Temperature range**  
-40° to +120°

④ **Cable diameter**  
4.0mm - 13.0mm

**Attenuation factor**  
>40 dB between 30Mhz and 1Ghz

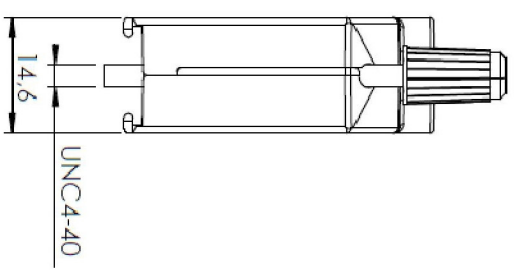
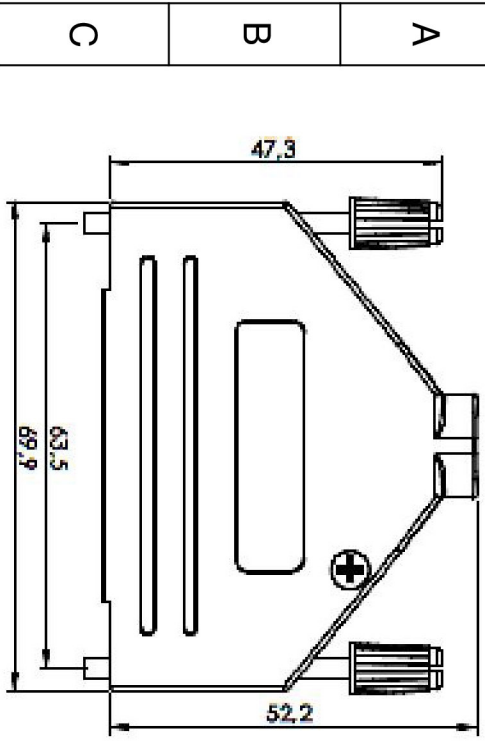
**Requirements**  
VDE 0871, FCC 20780, 89/336/EU



Modification		Date	Name	Date	Name	Title
④	changed cable Ø	21.09.2015	A. Plate	Drawn 18.12.04	Ken	AMET-25 RS
③	update of detailed specification, added sheets	28.02.2014	A. Siozios	Approved 25.09.08	W.Hellwig	
②	Sheet 2 added	25.09.08	N.Schulz			
①	drawing revised	04.07.07	N.Schulz			
Modification		Date	Name	 		Drawing-No.
						ASS 0420 CO
						Replace
						Sheet 3/5

1	2	3	4	5	6	7
---	---	---	---	---	---	---

1	2	3	4	5	6	7
---	---	---	---	---	---	---



- Material**  
Zinc die-cast
- Delivery includes**
- |   |                              |      |
|---|------------------------------|------|
| 1 | half-sheets                  | (2x) |
| 2 | knurledge screws             | (2x) |
| 3 | screw                        | (1x) |
| 4 | half shells of strain relief | (8x) |

**SPECIFICATION**  
**MATERIAL**  
**Features**

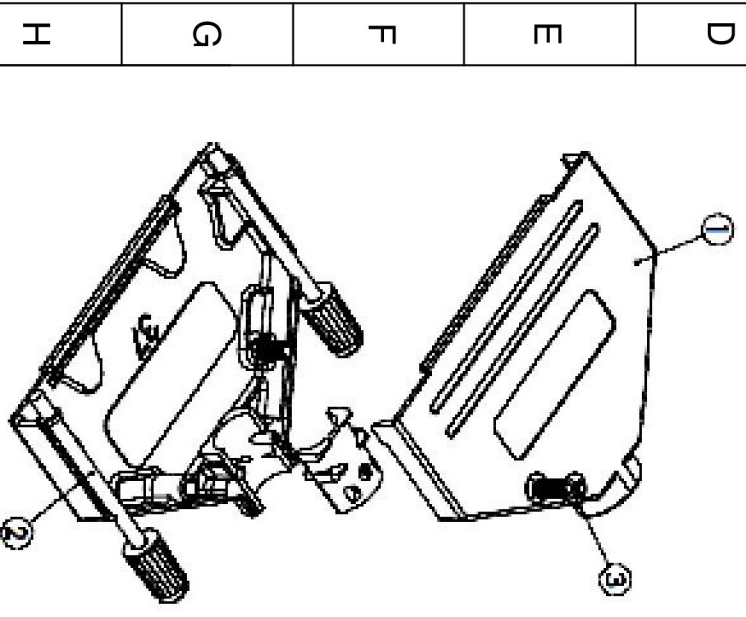
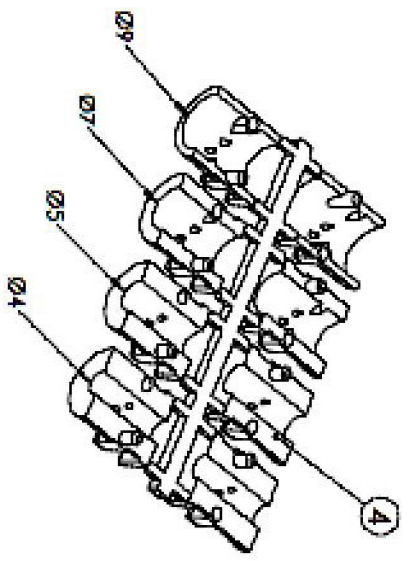
**Material and finish**  
Zinc-die-cast, nickel plated

**Temperature range**  
-40° to +120°

④  
**Cable diameter**  
4.0mm - 13.0mm

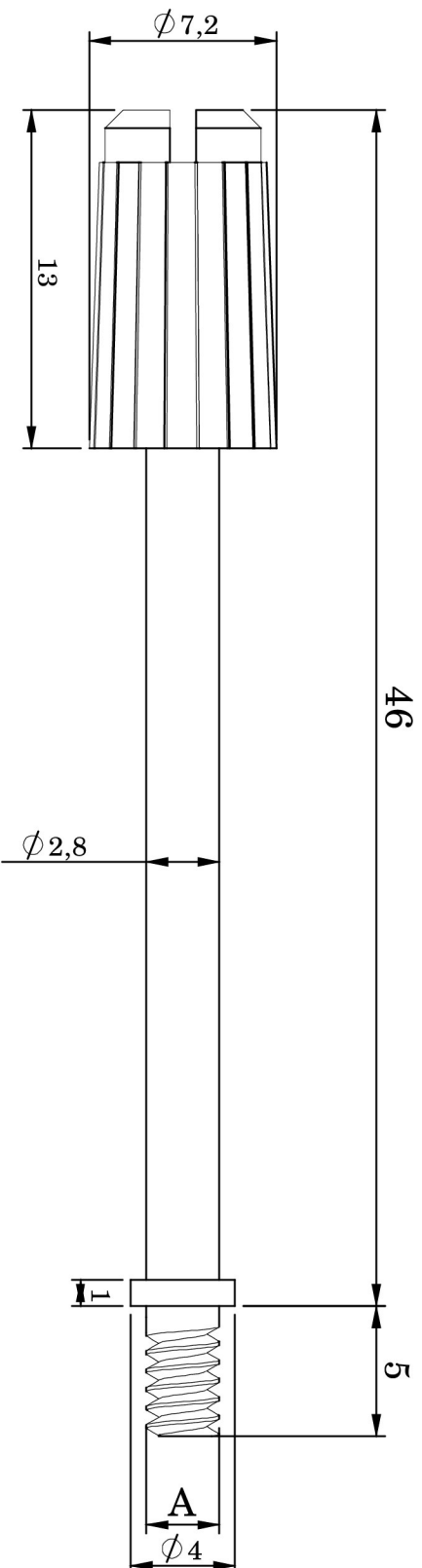
**Attenuation factor**  
>40 dB between  
30Mhz and 1Ghz

**Requirements**  
VDE 0871, FCC 20780,  
89/336/EU



④	changed cable Ø	21.09.2015	A. Plate	Drawn	18.12.04	Ken	Title <b>AMET-37 RS</b>																																
③	update of detailed specification, added sheets	28.02.2014	A. Siozios	Approved	25.09.08	W.Hellwig																																	
②	Sheet 2 added	25.09.08	N.Schulz																																				
①	drawing revised	04.07.07	N.Schulz																																				
	Modification																																						
<table border="0"> <tr> <td colspan="4"><b>ASSMANN</b></td> <td colspan="4"><b>components</b></td> </tr> <tr> <td colspan="4">Drawing-No.</td> <td colspan="4">Sheet</td> </tr> <tr> <td colspan="4">ASS 0420 CO</td> <td colspan="4">rev04</td> </tr> <tr> <td colspan="4">Replace</td> <td colspan="4">Sheet 4/5</td> </tr> </table>								<b>ASSMANN</b>				<b>components</b>				Drawing-No.				Sheet				ASS 0420 CO				rev04				Replace				Sheet 4/5			
<b>ASSMANN</b>				<b>components</b>																																			
Drawing-No.				Sheet																																			
ASS 0420 CO				rev04																																			
Replace				Sheet 4/5																																			

1	2	3	4	5	6	7
---	---	---	---	---	---	---



	1	2	3	4	5	6	7	
A								A
B								B
C								C
D								D
E								E
F								F
G								G
H								H

Thread	
A	Plating
UNC4-40	Zink

Plastic knop	Plating
Black	Black

	Date	Name
Drawn	18.12.04	Ken
Approved	25.09.08	W.Hellwig

	Date	Name
④ changed cable Ø	21.09.2015	A. Plate
③ update of detailed specification. added sheets	28.02.2014	A. Siozios
② update	25.09.08	N.Schulz
① drawing revised	04.07.07	N.Schulz

Modification	Date	Name



Title  
AMET-xx RS

Drawing-No.  
ASS 0420 CO

Replace  
Sheet  
5/5