

WPS40-12 12Volt 40Ah

Specifications

Nominal Voltage(V) **12V**

Nominal Capacity

| | | | | |
|--------------|-------|----|---------|----------------|
| 20 hour rate | (2A | to | 10.50V) | 40Ah |
| 10 hour rate | (3.8A | to | 10.50V) | 38Ah |
| 5 hour rate | (6.8A | to | 10.20V) | 34Ah |
| 1 C | (40A | to | 9.60V) | 21.33Ah |
| 3 C | (120A | to | 9.60V) | 14Ah |

Weight **Approx. 12.6kg(27.7Lbs.)**

Internal Resistance (at 1KHz) **Approx. 8.5 mΩ**

Maximum Discharge Current for 5 seconds: **480A**

Charging Methods at 25 (77)

| | |
|----------------------------|----------------------|
| Cycle use: | |
| Charging Voltage | 14.4 to 15.0V |
| Coefficient | -5.0mV/ /cell |
| Maximum Charging Current : | 12A |
| Standby use: | |
| Float Charging Voltage | 13.5 to 13.8V |
| Coefficient | -3.0mV/ /cell |

Operating Temperature Range

| | | | |
|-----------|-----------------|----|------------------|
| Charge | -15 (5) | to | 40 (104) |
| Discharge | -15 (5) | to | 50 (122) |
| Storage | -15 (5) | to | 40 (104) |

Charge Retention (shelf life) at 20 (68)

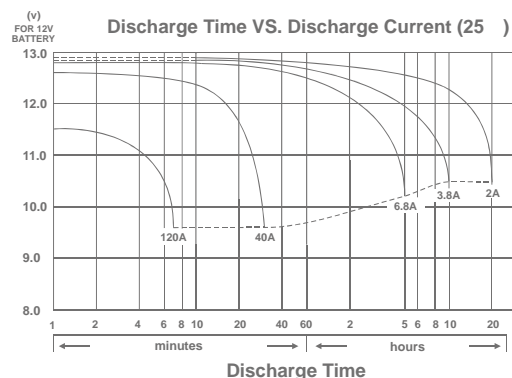
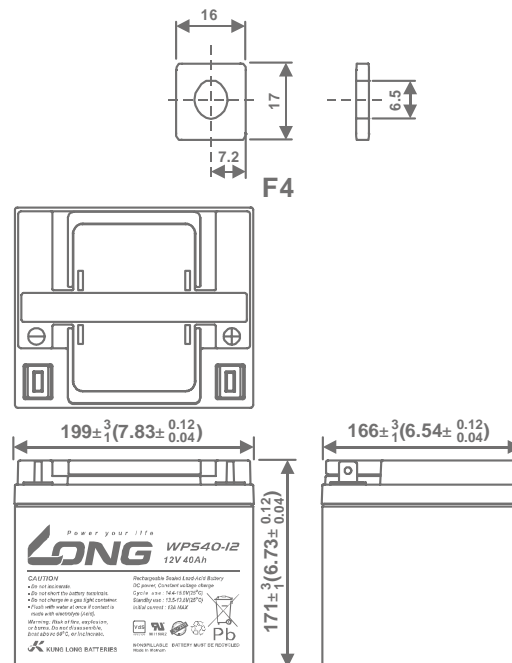
| | |
|---------|------------|
| 1 month | 92% |
| 3 month | 90% |
| 6 month | 80% |

Case Material **ABS UL94 HB**
Option: Flammability resistance of (UL94 V-0)

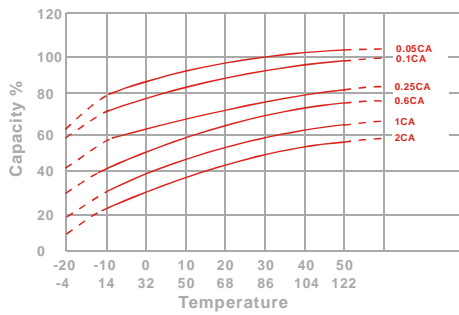
Terminal **F4**



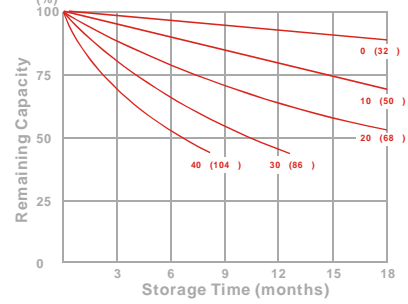
Dimensions mm(inch)



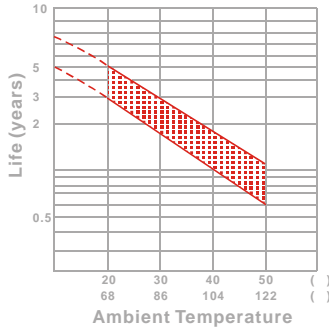
Effect of Temperature on Capacity 25 (77)



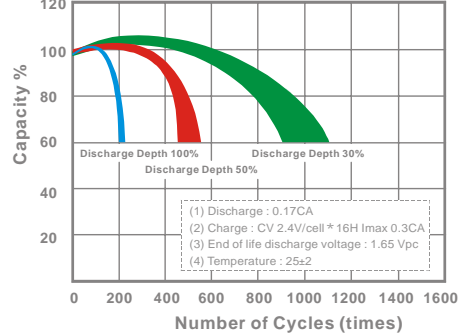
Capacity Retention Characteristic



Trickle (or float) Service Life



Cycle Service Life



- PERFORMANCE DATA

Discharge Rates in Watts to Various End Voltages at 25 (77)

| End Voltage | | 1.85V | 1.80V | 1.75V | 1.70V | 1.67V | 1.65V | 1.60V |
|-------------|-----|-------|-------|-------|-------|-------|-------|-------|
| Time | | | | | | | | |
| 10 | min | 113 | 133 | 149 | 159 | 163 | 163 | 166 |
| 15 | min | 101 | 113 | 123 | 128 | 130 | 131 | 132 |
| 20 | min | 90.7 | 98.2 | 102 | 105 | 106 | 106 | 107 |
| 25 | min | 79.2 | 83.5 | 87.0 | 88.7 | 89.2 | 89.5 | 90.0 |
| 30 | min | 70.7 | 73.8 | 75.8 | 76.5 | 76.7 | 77.0 | 77.3 |
| 45 | min | 56.5 | 59.2 | 62.5 | 62.7 | 63.0 | 63.2 | 63.3 |
| 60 | min | 43.8 | 45.8 | 46.8 | 47.3 | 47.5 | 47.7 | 47.8 |
| 90 | min | 33.7 | 35.0 | 35.7 | 36.0 | 36.2 | 36.5 | 36.7 |
| 120 | min | 27.7 | 28.7 | 29.2 | 29.5 | 29.7 | 29.8 | 30.0 |
| 180 | min | 19.2 | 19.8 | 20.2 | 20.3 | 20.5 | 20.5 | 20.7 |
| 240 | min | 15.4 | 15.9 | 16.1 | 16.2 | 16.3 | 16.4 | 16.4 |
| 300 | min | 13.2 | 13.6 | 13.7 | 13.8 | 13.9 | 13.9 | 14.0 |
| 480 | min | 9.03 | 9.22 | 9.37 | 9.47 | 9.52 | 9.55 | 9.63 |
| 600 | min | 7.80 | 7.95 | 8.05 | 8.13 | 8.18 | 8.22 | 8.27 |
| 1200 | min | 3.92 | 4.00 | 4.03 | 4.07 | 4.08 | 4.08 | 4.10 |

- Discharge Rates in Amperes to Various End Voltages at 25 (77)

| End Voltage | | 1.85V | 1.80V | 1.75V | 1.70V | 1.67V | 1.65V | 1.60V |
|-------------|-----|-------|-------|-------|-------|-------|-------|-------|
| Time | | | | | | | | |
| 10 | min | 66.4 | 77.0 | 86.2 | 92.3 | 94.2 | 94.4 | 96.2 |
| 15 | min | 55.1 | 61.6 | 66.8 | 69.6 | 70.6 | 71.2 | 72.2 |
| 20 | min | 47.4 | 51.3 | 53.3 | 55.0 | 55.5 | 55.8 | 56.3 |
| 25 | min | 39.9 | 42.1 | 43.9 | 44.7 | 45.0 | 45.1 | 45.4 |
| 30 | min | 35.9 | 37.5 | 38.5 | 38.9 | 39.0 | 39.1 | 39.2 |
| 45 | min | 28.7 | 30.1 | 31.5 | 31.9 | 32.0 | 32.1 | 32.2 |
| 60 | min | 22.5 | 23.5 | 24.0 | 24.3 | 24.4 | 24.5 | 24.6 |
| 90 | min | 17.2 | 17.9 | 18.2 | 18.4 | 18.5 | 18.6 | 18.7 |
| 120 | min | 13.9 | 14.4 | 14.7 | 14.8 | 14.9 | 15.0 | 15.1 |
| 180 | min | 9.63 | 10.0 | 10.1 | 10.2 | 10.2 | 10.3 | 10.3 |
| 240 | min | 7.70 | 7.94 | 8.03 | 8.09 | 8.13 | 8.15 | 8.20 |
| 300 | min | 6.57 | 6.76 | 6.82 | 6.87 | 6.90 | 6.93 | 6.97 |
| 480 | min | 4.49 | 4.58 | 4.65 | 4.70 | 4.73 | 4.75 | 4.79 |
| 600 | min | 3.87 | 3.95 | 4.00 | 4.04 | 4.06 | 4.08 | 4.10 |
| 1200 | min | 1.94 | 1.98 | 2.00 | 2.02 | 2.02 | 2.03 | 2.04 |

All data on the spec. sheet is an average value:

The tolerance range : X<6min(+15%~-15%), 6min X<10min(+12%~-12%),10min X < 60min(+8% ~-8%), X 60min(+5%~-5%)

280417-1A



Head Quarter Service - TEL: +886-49-2254-777 FAX: +886-49-2255-139 E-mail: sales@mail.klb.com.tw
 USA Customer Service - TEL: +1-949-328-7936 FAX: +1-949-266-9917 E-mail: sales@kunglong.com
 Vietnam Customer Service - TEL: +84-72-3779666 FAX: +84-72-3779476 E-mail: sales@mail.klb.com.tw