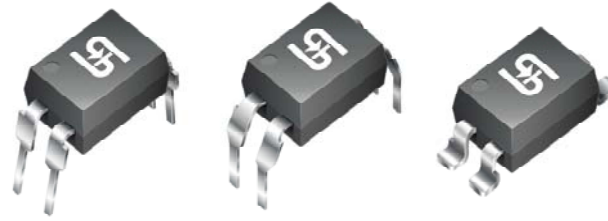


Small Signal Product

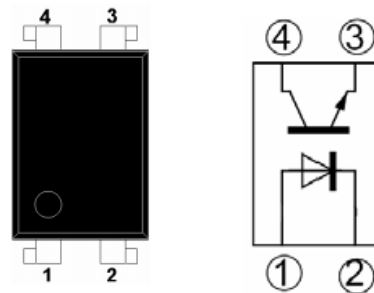
4 PIN DIP PHOTOTRANSISTOR PHOTOCOUPLER

FEATURES

- Current transfer ratio
(CTR: MIN.80% at $I_F=5mA$, $V_{CE}=5V$)
- High isolation voltage between input and output ($V_{iso}=5000V$ rms)
- High collector-emitter voltage ($V_{CEO}:70V$)
- Compliant to RoHS Directive 2011/65/EU and in accordance to WEEE 2002/96/EC
- Halogen-free according to IEC 61249-2-21
- Packing code with suffix "G" means green compound (halogen-free)



DIP-4 DIP-4M SOP-4



APPLICATION

- Programmable controllers
- System appliances, measuring instruments
- Signal transmission between circuits of different potentials
And impedances

MAXIMUM RATINGS AND ELECTRICAL CHARACTERISTICS ($T_A=25^\circ C$ unless otherwise noted)				
PARAMETER		SYMBOL	RATING	UNIT
Input	Forward current	I_F	50	mA
	Peak forward current (Note 1)	I_{FM}	1	A
	Reverse voltage	V_R	6	V
	Power dissipation	P	70	mW
Output	Collector-emitter voltage	V_{CEO}	70	V
	Emitter-collector voltage	V_{ECO}	6	V
	Collector current	I_C	50	mA
	Collector power dissipation	P_C	150	mW
Total power dissipation		P_{tot}	200	mW
Isolation voltage (Note 2)		V_{iso}	5000	Vrms
Operating temperature		T_{opr}	-30 to +100	$^\circ C$
Storage temperature		T_{stg}	-55 to +125	$^\circ C$
Soldering temperature (Note 3)		T_{sol}	260	$^\circ C$

Note 1: Pulse width $\leq 100ms$, Duty ratio: 0.001

Note 2: 40 to 60% RH, AC for 1 minute

Note 3: For 10s

Small Signal Product

ELECTRICAL CHARACTERISTICS (T _A =25°C unless otherwise noted)							
PARAMETER		SYMBOL	CONDITIONS	MIN.	TYP.	MAX.	UNIT
Input	Forward voltage	V _F	I _F =20mA	-	1.2	1.4	V
	Peak forward voltage	V _{FM}	I _{FM} =0.5A	-	-	3.0	V
	Reverse current	I _R	V _R =4V	-	-	10	μA
	Terminal capacitance	C _t	V=0, f=1kHz	-	30	250	pF
Output	Collector dark current	I _{CEO}	V _{CE} =20V, I _F =0	-	-	10 ⁻⁷	A
Transfer Characteristics	Current transfer ration (Note 4)	CTR	I _F =5mA, V _{CE} =5V	80	-	600	%
	Collector-emitter saturation voltage	V _{CE(sat)}	I _F =20mA, I _C =1mA	-	0.1	0.2	V
	Isolation resistance	R _{ISO}	DC500V, 40 to 60%RH	5x10 ¹⁰	10 ¹¹	-	Ω
	Floating capacitance	C _f	V=0, f=1MHz	-	0.6	1.0	pF
	Cut-off frequency	f _c	V _{CE} =5V, I _C =2mA, R _L =100Ω, -3dB	-	80	-	KHz
	Response time	Rise time	t _r	V _{CE} =2V, I _C =2mA, R _L =100Ω	-	4	18
Fall time		t _f	-		3	18	μs

Note 4: Classification table of current transfer ratio is shown below

RANK TABLE OF CURRENT TRANSFER RATIO, CTR

RANK MARK	MIN (%)	MAX (%)
A	80	160
B	130	260
C	200	400
D	300	600

ORDERING INFORMATION

PART NO. (Note 1, 2)	PACKING CODE	PACKING CODE SUFFIX	PACKAGE	PACKING
TPC816x	C9	G	DIP-4	100 / TUBE
TPC816Mx	C9		DIP-4M (Leads with 0.4" spacing)	100 / TUBE
TPC816S1x	RA		SOP-4	2K / 13" Reel

Note 1: "x" defines CTR rank from "A" to "D"

Note 2: Whole series with green compound

EXAMPLE

PREFERRED P/N	PART NO.	PACKING CODE	PACKING CODE SUFFIX	DESCRIPTION
TPC816A C9G	TPC816A	C9	G	Green compound

MARKING



Note:
816: Product type
B: CTR rank mark
YWW: Date code

Small Signal Product

RATINGS AND CHARACTERISTICS CURVES

($T_A=25^\circ\text{C}$ unless otherwise noted)

Fig. 1 Forward Current vs. Ambient Temperature

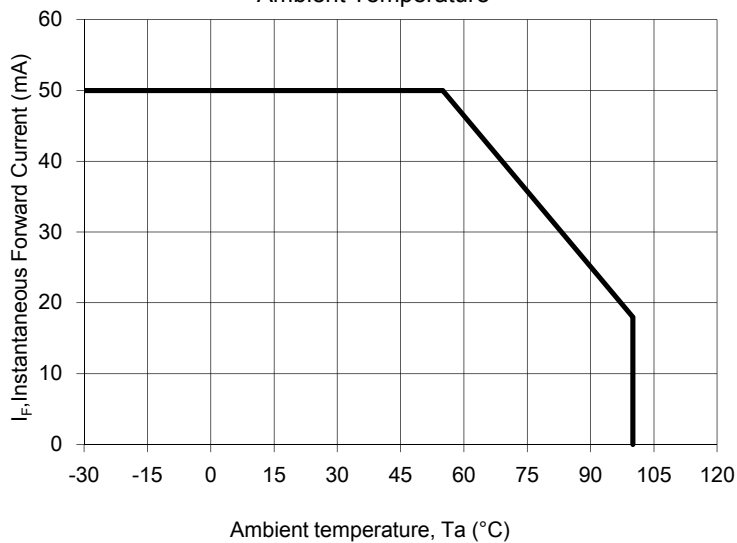


Fig. 2 Collector Power Dissipation vs. Ambient Temperature

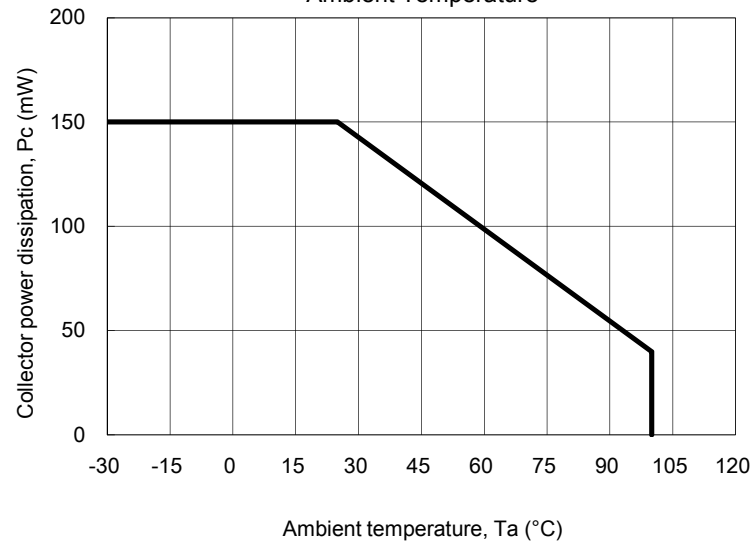


Fig. 3 Peak Forward Current vs. Duty Ratio

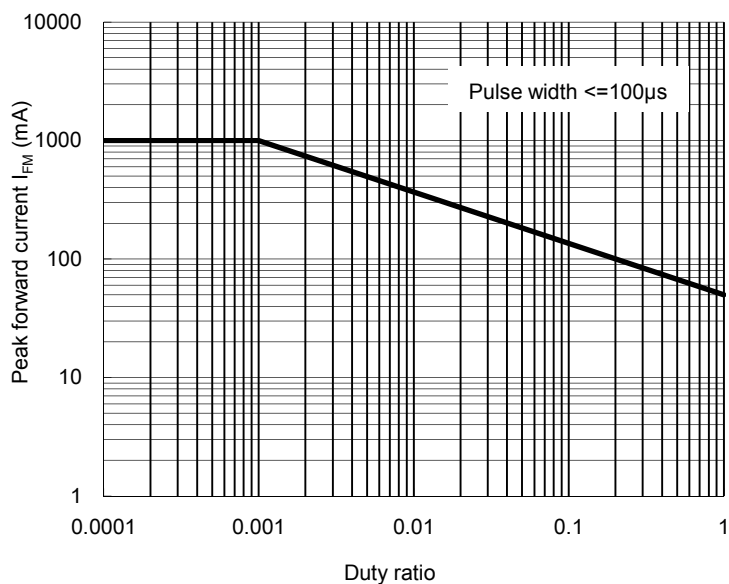
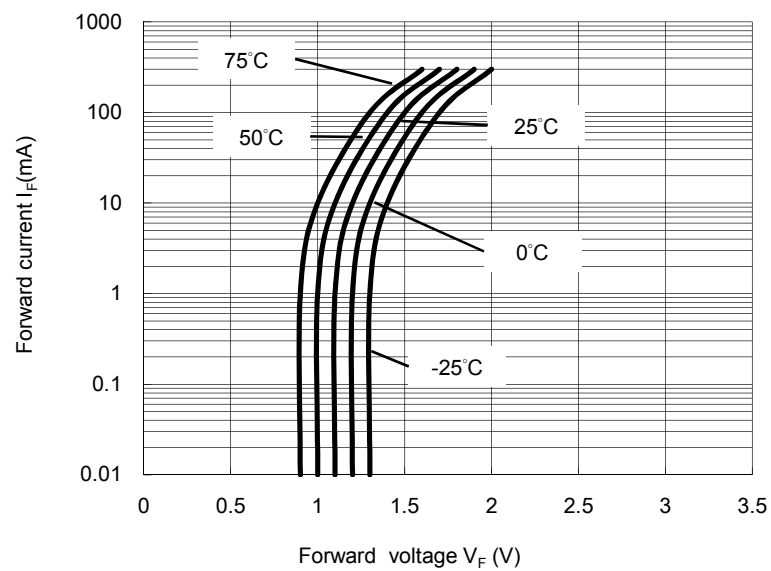


Fig. 4 Forward Current vs. Forward Voltage



Small Signal Product

Fig. 5 Current Transfer Ratio vs. Forward Current

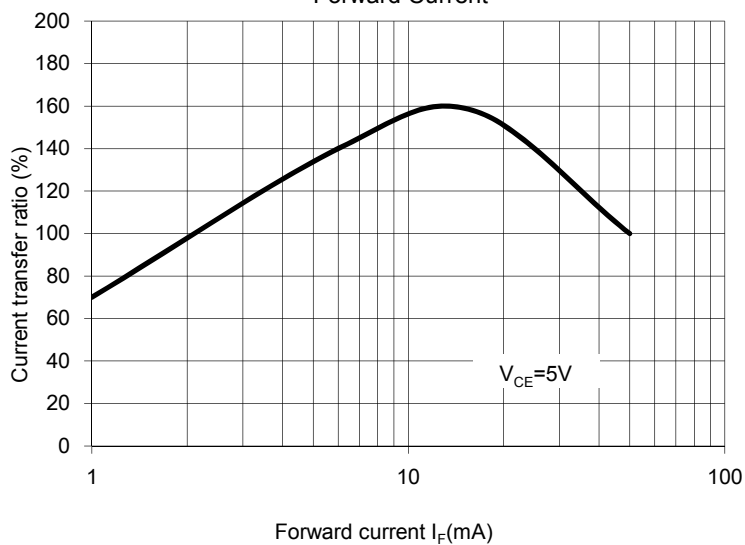


Fig. 6 Collector Current vs. Collector-emitter Voltage

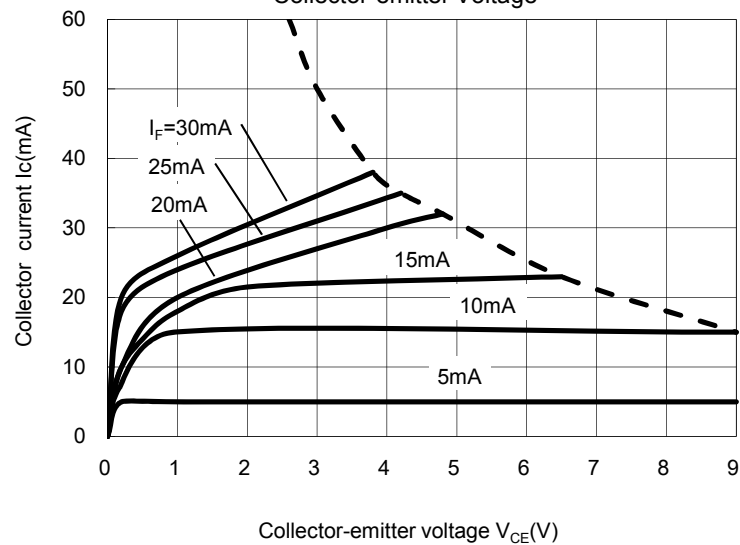


Fig. 7 Relative Current Transfer Ratio vs. Ambient Temperature

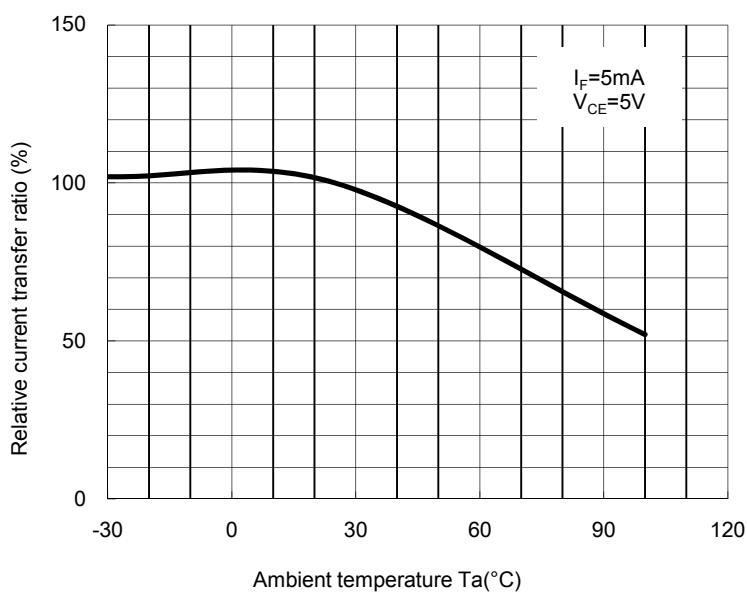
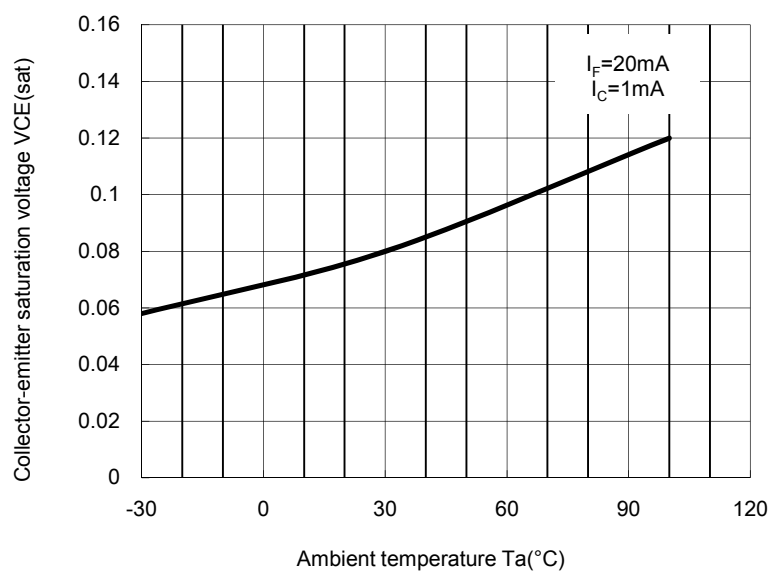


Fig. 8 Collector-emitter Saturation Voltage vs. Ambient Temperature



Small Signal Product

Fig. 9 Collector Dark Current vs. Ambient temperature

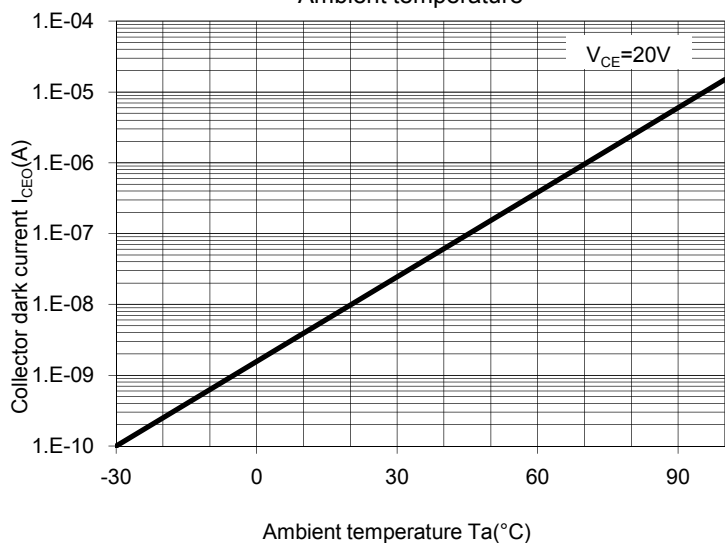


Fig. 10 Response Time vs. Load Resistance

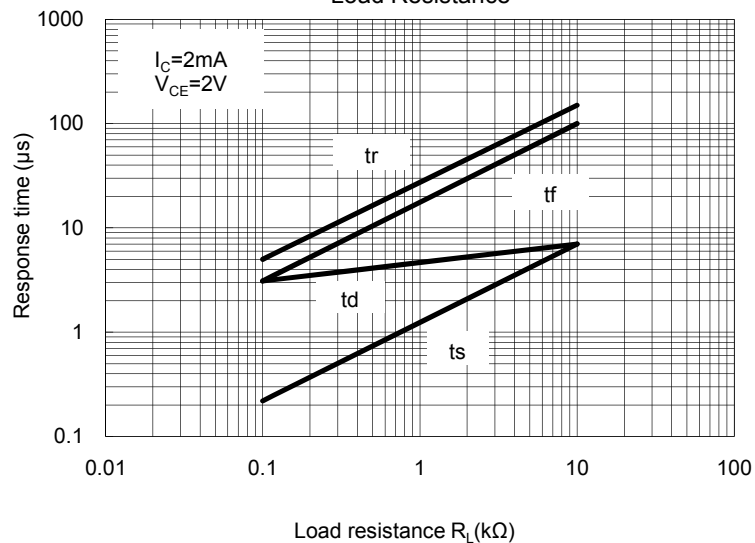


Fig. 11 Frequency Response

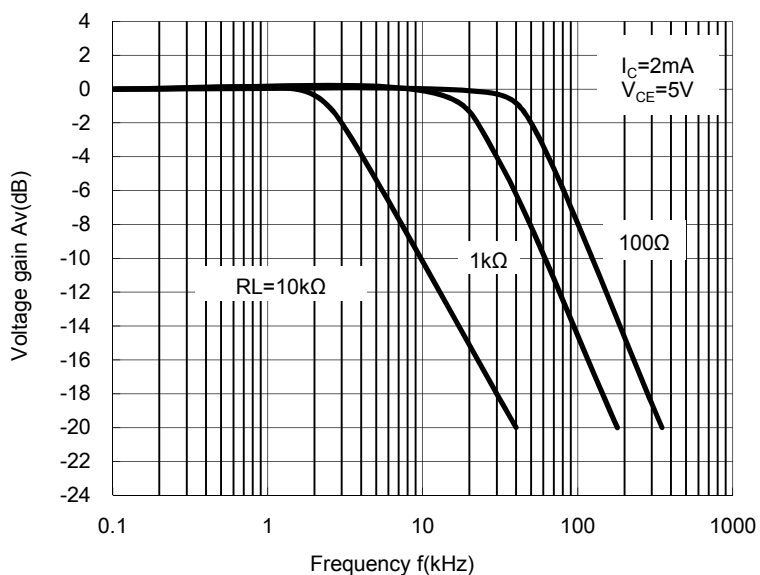
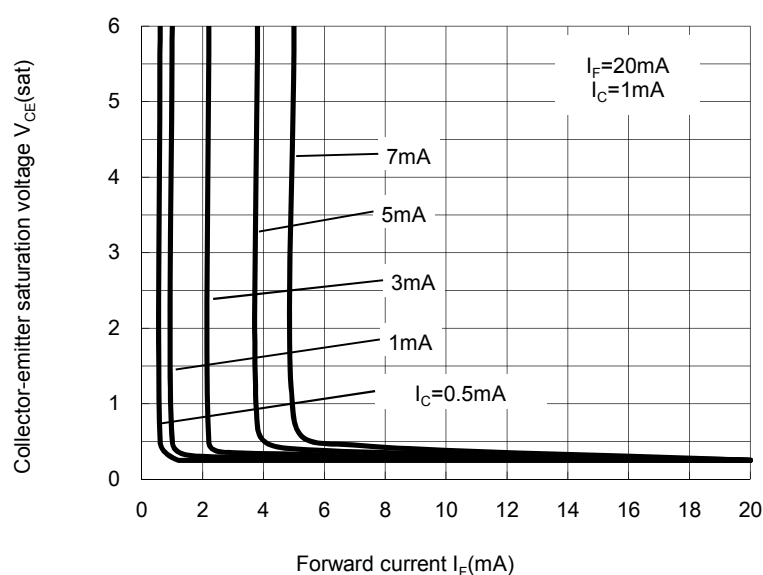
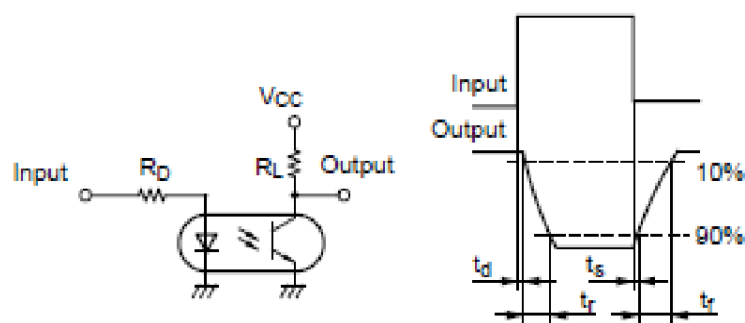


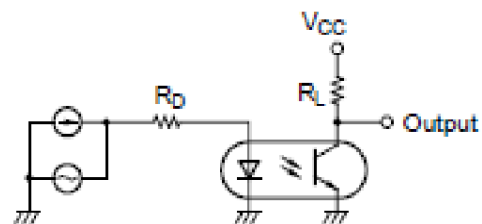
Fig. 12 Collector-emitter Saturation Voltage vs



Test Circuit Response Time



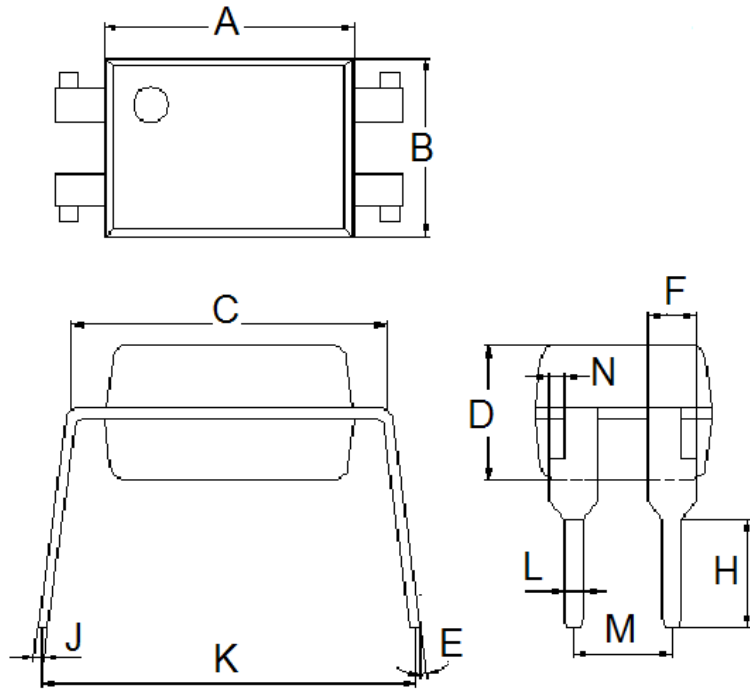
Test Circuit for Frequency Response



Small Signal Product

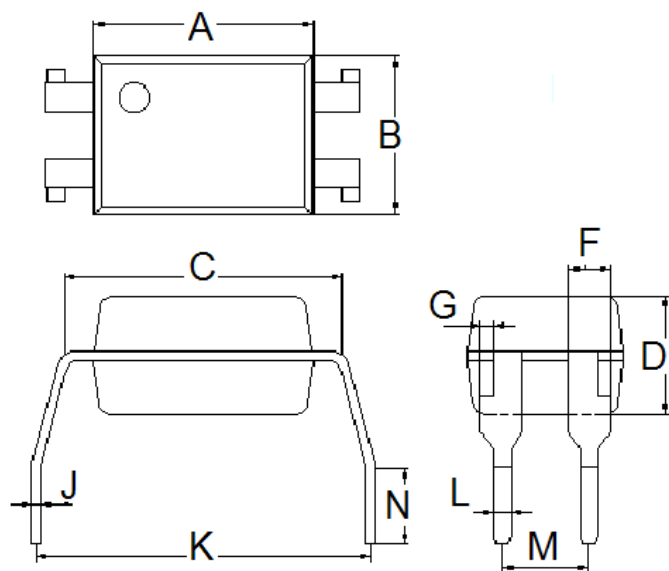
DIMENSIONS

DIP-4



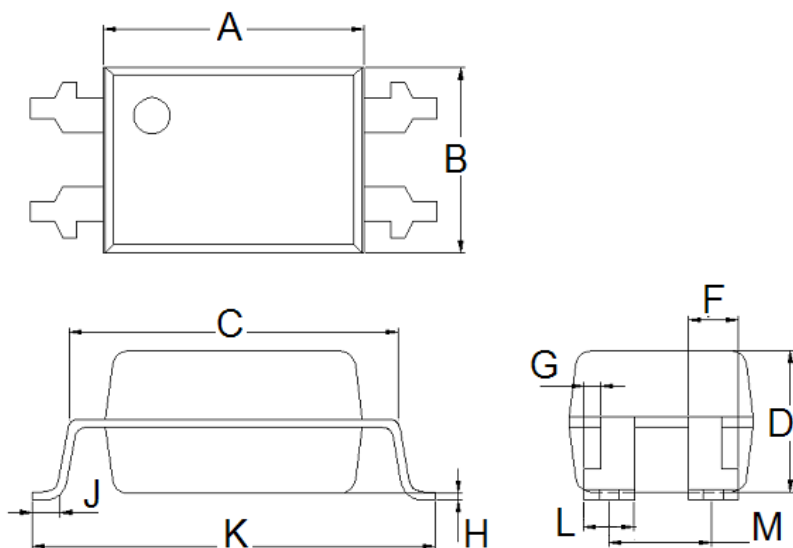
DIM.	Unit (mm)	
	Min	Max
A	6.40	6.60
B	4.50	4.70
C	7.90	8.30
D	3.28	3.68
E	2°	8°
F	1.25 typ.	
H	2.70	2.90
J	0.23	0.26
K	8.86	9.31
L	0.50 typ.	
M	2.44	2.64
N	0.40 typ.	

DIP-4M (Leads with 0.4" spacing)



DIM.	Unit (mm)	
	Min	Max
A	6.40	6.60
B	4.50	4.70
C	7.90	8.30
D	3.28	3.68
F	1.25 typ.	
G	0.40 typ.	
J	0.23	0.26
K	9.86	10.46
L	0.50 typ.	
M	2.44	2.64
N	2.08	2.48

SOP-4



DIM.	Unit (mm)	
	Min	Max
A	6.40	6.60
B	4.50	4.70
C	7.90	8.30
D	3.28	3.68
F	1.25 typ.	
G	0.40 typ.	
H	0.00	0.20
J	0.50	0.70
K	9.80	10.30
L	1.25 typ.	
M	2.49	2.69

Small Signal Product

Notice

Specifications of the products displayed herein are subject to change without notice. TSC or anyone on its behalf, assumes no responsibility or liability for any errors or inaccuracies.

Information contained herein is intended to provide a product description only. No license, express or implied, to any intellectual property rights is granted by this document. Except as provided in TSC's terms and conditions of sale for such products, TSC assumes no liability whatsoever, and disclaims any express or implied warranty, relating to sale and/or use of TSC products including liability or warranties relating to fitness for a particular purpose, merchantability, or infringement of any patent, copyright, or other intellectual property right.

The products shown herein are not designed for use in medical, life-saving, or life-sustaining applications. Customers using or selling these products for use in such applications do so at their own risk and agree to fully indemnify TSC for any damages resulting from such improper use or sale.