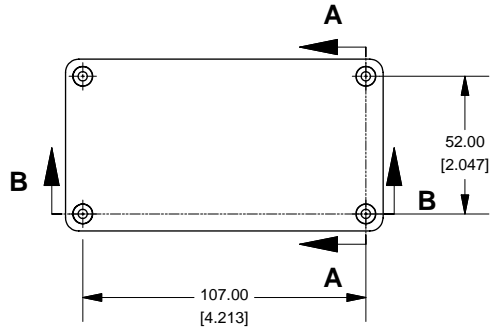
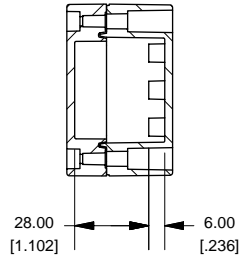


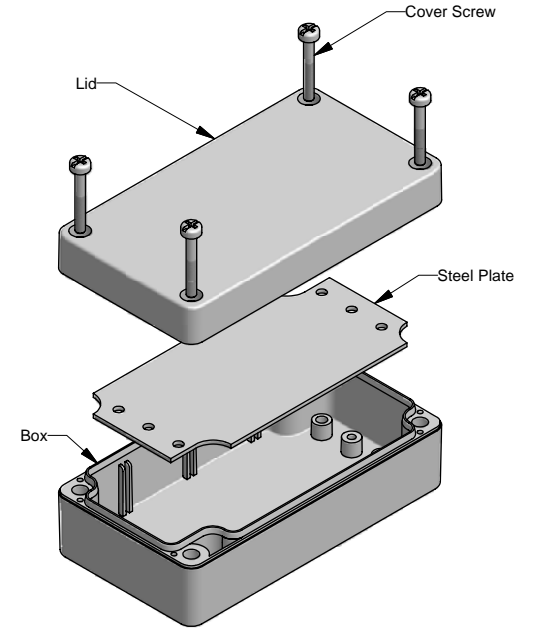
Top View of Assembly



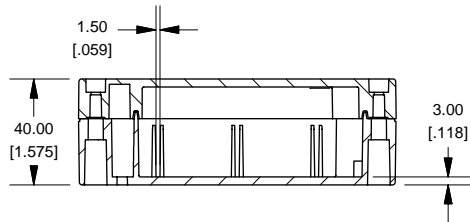
SECTION A-A End View of Assembly



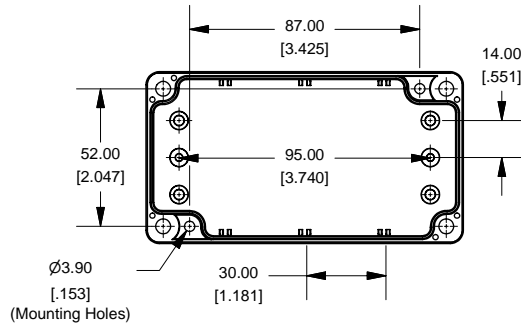
1554C



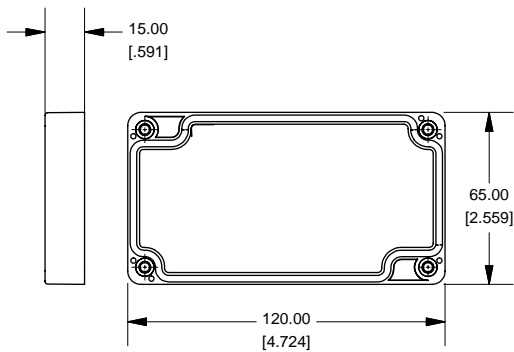
SECTION B-B Side View of Assembly



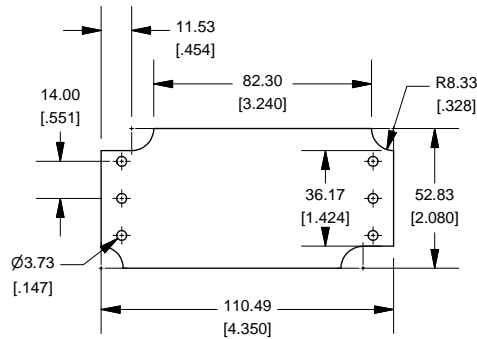
Top View Looking Inside Box



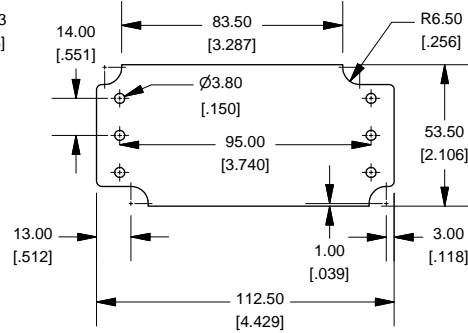
Lid



Available 16 Gauge Steel Plate



Maximum P.C. Board Size



NOTE
 Purchased assembly includes box, lid and 4 cover screws.
 Cover screws should be torqued to 2.5 lbf-in (30 cN-m)
 Polycarbonate version is 508 approved
 Enclosure Type 4X, 4, 12 File# E65324

1554C	
1554C Regular Enclosure	
General Purpose ABS	1554CGY
Polycarbonate	1554C2GY
1554C Clear Lid Enclosure	
Polycarbonate	1554C2GYCL
ACCESSORIES	
Heavy Duty 16 Gauge Galvanized Steel Panels	1554CPL
Steel Panel / P.C. Board Machine Screw [M3 X 8mm Nickel Plated]	1591MM100
Steel Panel / P.C. Board Self Tapping Screw [#6 X 1/4" (6.4mm) Nickel Plated]	1598ATS100
Cover Screws (Pkg 4) [M4 X 20mm Stainless Steel]	SC1554

