



Elektrotechnik Karl-Heinz Mauz GmbH

MBL2418BLDC-12130 (Artikel-Nr. 860521)

EKULIT

SPECIFICATIONS:

Item	Unit	Specification
Rated voltage	VDC	24.0
Rotation		CW
Motor Position		All position in horizontal
Temperature	°C	0~30
Humidity	%	30~95
• Performance of Motor		
Output Speed	rpm	9000±10%
No-load Current	mA	70 (max.)
Stall Current	mA	470 (max.)
Stall Torque	g.cm	105
Rated Torque	g.cm	15
Rated Current	mA	160 (max.)
Rated Speed	rpm	7750±10%
Noise	dB	48
• The Dimension		
The Outside Shaft Length	mm	16.1
Shaft End Play	mm	0.05-0.50
Screw Size		M2.0*0.4
Dia of Shaft	mm	Ø2mm



Adresse: **Felix-Wankel-Str. 35 • 73760 Ostfildern/Nellingen**

Tel: **+49-711/3414023**

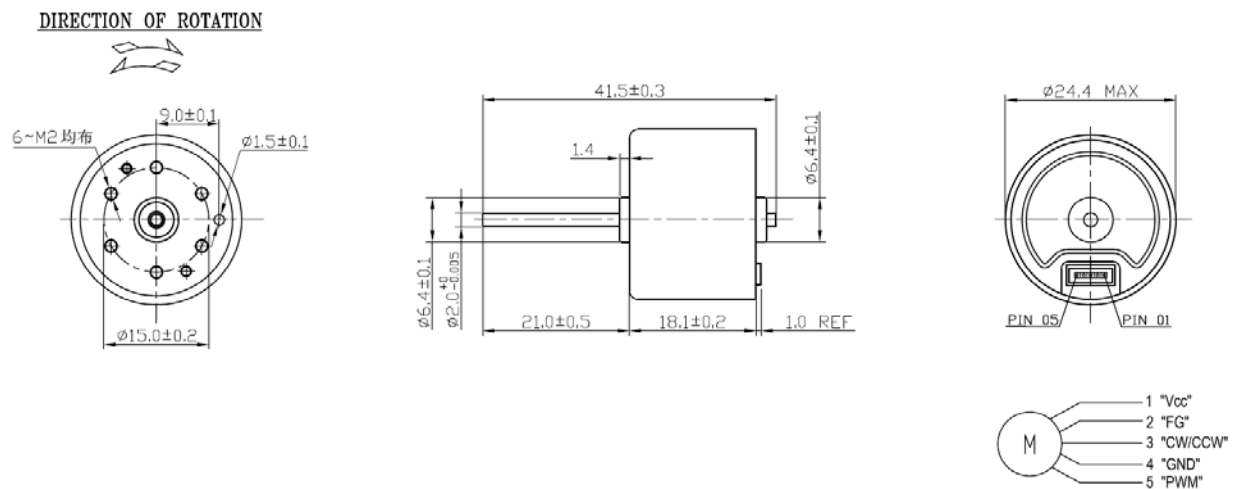
Fax: **+49-711/3414024**

E-mail: **info@ekulit.de** Web site: **www.EKULIT.de**

MBL2418BLDC-12130 (Artikel-Nr. 860521)

EKULIT

DIMENSIONS :
(Unit: mm)



Adresse: Felix-Wankel-Str. 35 • 73760 Ostfildern/Nellingen

Tel: +49-711/3414023

Fax: +49-711/3414024

E-mail: info@ekulit.de Web site: www.EKULIT.de



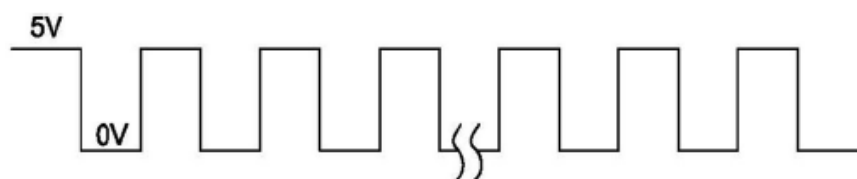
Elektrotechnik Karl-Heinz Mauz GmbH

MBL2418BLDC-12130 (Artikel-Nr. 860521)

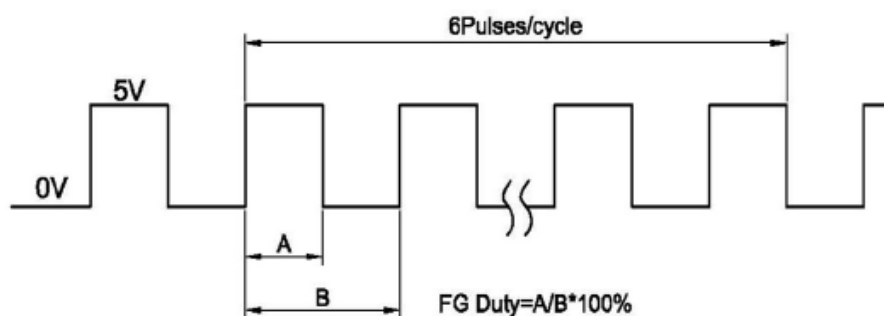
EKULIT

一: (MOTOR TERMINATIONS)				
NO.	信号SIGNAL	I/O	规格SPECIFICATIONS	备注NOTE
1	Vm (red wire)	I/N	DC 24VM+/-10%V	POWER
2	FG (green wire)	OUT	5.0V Max	Hall Signal Pulse Outputs
	VOH		0.5v max	
	VOL		2mA	
	FG Singnal Current		6Pulse/cycle	
3	Pulse Outputs of Rotation	IN	0~5V	High---motor CCW
	CW/CCW 控制 CW/CCW Control (yellow wire)		2.0V Min. or open	Low---motor CW
	输入电压范围 Input Voltage Rotation		0.5V Max.	
	VIH			
4	VIL	IN	Power Ground	Power Ground
	GND			
	PWM控制 PWM Control, (blue wire)		60K MAX Typical (15K-25K)	
	输入电压范围 Input Voltage Range		0~5v (15K-25K)	High---motor OFF
5	VIH	IN	2.0V Min. or open	Low---motor ON
	VIL		0.5V Max	

二: Block diagram:



PWM control, duty=0%-100% $f_{IN}=15K-25K$



Adresse: Felix-Wankel-Str. 35 • 73760 Ostfildern/Nellingen

Tel: +49-711/3414023

Fax: +49-711/3414024

E-mail: info@ekulit.de

Web site: www.EKULIT.de