



Elektrotechnik Karl-Heinz Mauz GmbH

GM25-BLDC2418-75-10.5D (Artikel-Nr. 860528)

EKULIT

SPECIFICATIONS:

Item	Unit	Specification
Rated voltage	VDC	24.0
Gear Ratio		1/75
Rotation		CW&CCW
Motor Position		All position in horizontal
Temperature	°C	0~30
Humidity	%	30~95
• Performance of Motor		
No-load Speed	rpm	9.000±10%
No-load Current	mA	70 (max.)
Stall Current	mA	700 (max.)
Stall Torque	g.cm	120
• Performance of Gear motor		
Output Speed	rpm	120±10%
No-load Current	mA	80 (max.)
Stall Current	mA	700 (max.)
Stall Torque	kg.cm	10.0
Rated Torque	g.cm	2.000
Rated Current	mA	200 (max.)
Noise	dB	52
• The Dimension		
The Outside Shaft Length	mm	10.5
Shaft End Play	mm	0.05-0.50
Screw Size		M2.0
Dia of Shaft	mm	Ø4.0*3.5mm

Adresse: Felix-Wankel-Str. 35 • 73760 Ostfildern/Nellingen

Tel: +49-711/3414023

Fax: +49-711/3414024

E-mail: info@ekulit.de Web site: www.EKULIT.de

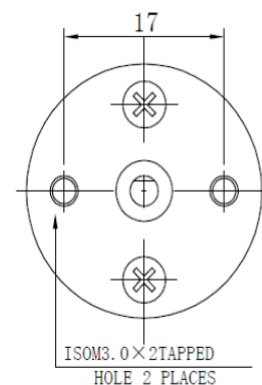
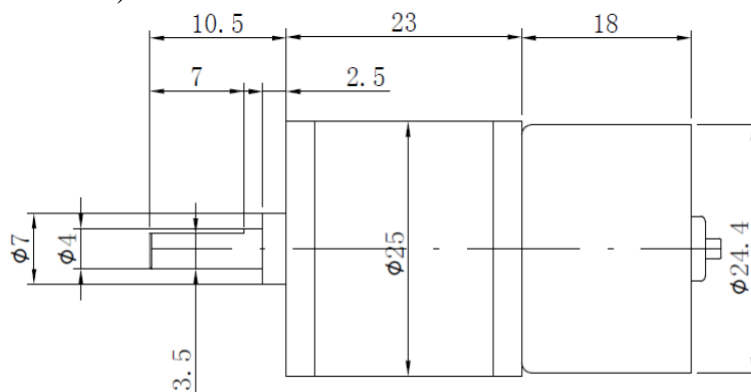
Elektrotechnik Karl-Heinz Mauz GmbH

GM25-BLDC2418-75-10.5D (Artikel-Nr. 860527)

EKULIT

DIMENSIONS :

(Unit: mm)



UNIT: MILLIMETRE(mm)

