

Elektrotechnik Karl-Heinz Mauz GmbH

VM-1002A3.0 (Artikel-Nr. 860215)

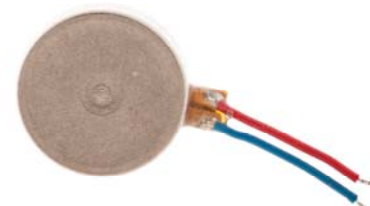
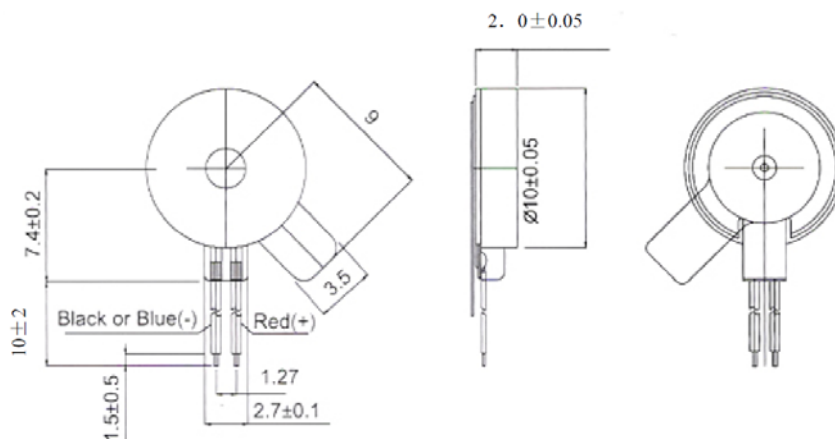
EKULIT

SPECIFICATIONS:

TYPE	UNIT	VM-1003A3.0
Rated voltage	V _{DC}	3.0
Operating range voltage	V _{DC}	2.3~4.0
Rotation	-	CW&CCW
Rated Current	mA	<80
Rated speed	rpm	10.000±3.000
Starting voltage	V _{DC}	2.3
Starting current	mA	120
Insulation resistance	MΩ	10
Terminal resistance	Ω	70 max.
Weight	g	2.0
Operating temperature	°C	-20~+60

DIMENSIONS :

(Unit: mm)



Typical applications : Motorized toys, pager, mobile phone

Adresse: **Felix-Wankel-Str. 35 • 73760 Ostfildern/Nellingen**

Tel: **+49-711/3414023**

Fax: **+49-711/3414024**

E-mail: **info@ekulit.de** Web site: **www.EKULIT.de**