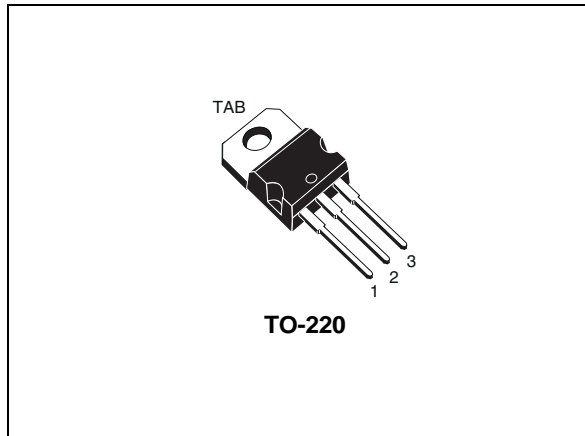


## Automotive-grade N-channel 100 V, 2.3 mΩ typ., 180 A STripFET™ F7 Power MOSFET in a TO-220 package

Datasheet - production data



### Features

Order code	V <sub>DS</sub>	R <sub>DS(on)</sub> max.	I <sub>D</sub>
STP315N10F7	100 V	2.7 mΩ	180 A

- Designed for automotive applications and AEC-Q101 qualified
- Among the lowest R<sub>DS(on)</sub> on the market
- Excellent figure of merit (FoM)
- Low C<sub>rss</sub>/C<sub>iss</sub> ratio for EMI immunity
- High avalanche ruggedness

### Applications

- Switching applications

### Description

This N-channel Power MOSFET utilizes STripFET™ F7 technology with an enhanced trench gate structure that results in very low on-state resistance, while also reducing internal capacitance and gate charge for faster and more efficient switching.

Figure 1. Internal schematic diagram

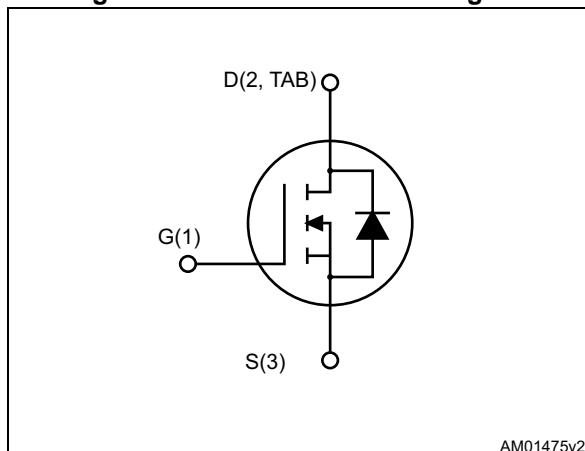


Table 1. Device summary

Order code	Marking	Package	Packaging
STP315N10F7	315N10F7	TO-220	Tube

# Contents

<b>1</b>	<b>Electrical ratings</b> .....	<b>3</b>
<b>2</b>	<b>Electrical characteristics</b> .....	<b>4</b>
	2.1 Electrical characteristics (curves) .....	6
<b>3</b>	<b>Test circuits</b> .....	<b>8</b>
<b>4</b>	<b>Package mechanical data</b> .....	<b>9</b>
<b>5</b>	<b>Revision history</b> .....	<b>12</b>

# 1 Electrical ratings

**Table 2. Absolute maximum ratings**

Symbol	Parameter	Value	Unit
$V_{DS}$	Drain-source voltage	100	V
$V_{GS}$	Gate-source voltage	$\pm 20$	V
$I_D^{(1)}$	Drain current (continuous) at $T_C = 25^\circ\text{C}$	180	A
$I_D^{(1)}$	Drain current (continuous) at $T_C=100^\circ\text{C}$	120	A
$I_{DM}^{(2)}$	Drain current (pulsed)	720	A
$P_{TOT}$	Total dissipation at $T_C = 25^\circ\text{C}$	315	W
	Derating factor	2.1	W/°C
$E_{AS}^{(3)}$	Single pulse avalanche energy ( $T_J = 25^\circ\text{C}$ , $L=0.55\text{ mH}$ , $I_{AS}=65\text{ A}$ )	1	J
$T_j$	Operating junction temperature	- 55 to 175	°C
$T_{stg}$	Storage temperature		°C

1. Current limited by package.
2. Pulse width limited by safe operating area.
3. Starting  $T_J=25^\circ\text{C}$ ,  $I_D=60\text{ A}$ ,  $V_{DD}=50\text{ V}$

**Table 3. Thermal data**

Symbol	Parameter	Value	Unit
$R_{thj-case}$	Thermal resistance junction-case	0.48	°C/W
$R_{thj-amb}$	Thermal resistance junction-ambient max	62.5	°C/W

## 2 Electrical characteristics

( $T_{CASE} = 25\text{ °C}$  unless otherwise specified).

**Table 4. On/off states**

Symbol	Parameter	Test conditions	Min.	Typ.	Max.	Unit
$V_{(BR)DSS}$	Drain-source breakdown voltage	$V_{GS} = 0, I_D = 250\ \mu A$	100			V
$I_{DSS}$	Zero gate voltage drain current ( )	$V_{GS} = 0, V_{DS} = 100\ V$			1	$\mu A$
		$V_{GS} = 0, V_{DS} = 100\ V, T_C = 125\text{ °C}$			100	$\mu A$
$I_{GSS}$	Gate body leakage current	$V_{DS} = 0, V_{GS} = 20\ V$			100	nA
$V_{GS(th)}$	Gate threshold voltage	$V_{DS} = V_{GS}, I_D = 250\ \mu A$	2.5	3.5	4.5	V
$R_{DS(on)}$	Static drain-source on- resistance	$V_{GS} = 10\ V, I_D = 60\ A$		2.3	2.7	m $\Omega$

**Table 5. Dynamic**

Symbol	Parameter	Test conditions	Min.	Typ.	Max.	Unit
$C_{iss}$	Input capacitance	$V_{GS} = 0, V_{DS} = 25\ V, f = 1\ MHz$	-	12800	-	pF
$C_{oss}$	Output capacitance		-	3500	-	pF
$C_{rss}$	Reverse transfer capacitance		-	170	-	pF
$Q_g$	Total gate charge	$V_{DD} = 50\ V, I_D = 180\ A, V_{GS} = 10\ V$ (see <a href="#">Figure 14</a> )	-	180	-	nC
$Q_{gs}$	Gate-source charge		-	78	-	nC
$Q_{gd}$	Gate-source charge		-	34	-	nC

**Table 6. Switching times**

Symbol	Parameter	Test conditions	Min.	Typ.	Max.	Unit
$t_{d(on)}$	Turn-on delay time	$V_{DD} = 50\ V, I_D = 90\ A, R_G = 4.7\ \Omega, V_{GS} = 10\ V$ (see <a href="#">Figure 13</a> , <a href="#">Figure 18</a> )	-	62	-	ns
$t_r$	Rise time		-	108	-	ns
$t_{d(off)}$	Turn-off delay time		-	148	-	ns
$t_f$	Fall time		-	40	-	ns

Table 7. Source drain diode

Symbol	Parameter	Test conditions	Min.	Typ.	Max.	Unit
$I_{SD}$	Source-drain current		-		180	A
$I_{SDM}^{(1)}$	Source-drain current (pulsed)		-		720	A
$V_{SD}^{(2)}$	Forward on voltage	$I_{SD}=60\text{ A}$ , $V_{GS}=0$	-		1.5	V
$t_{rr}$	Reverse recovery time	$I_{SD}=180\text{ A}$ , $di/dt = 100\text{ A}/\mu\text{s}$ , $V_{DD}=80\text{ V}$ , $T_j=150^\circ\text{C}$ (see <a href="#">Figure 15</a> )	-	85		ns
$Q_{rr}$	Reverse recovery charge		-	200		nC
$I_{RRM}$	Reverse recovery current		-	4.7		A

1. Pulse width limited by safe operating area.

2. Pulse duration = 300 $\mu\text{s}$ , duty cycle 1.5%

## 2.1 Electrical characteristics (curves)

Figure 2. Safe operating area

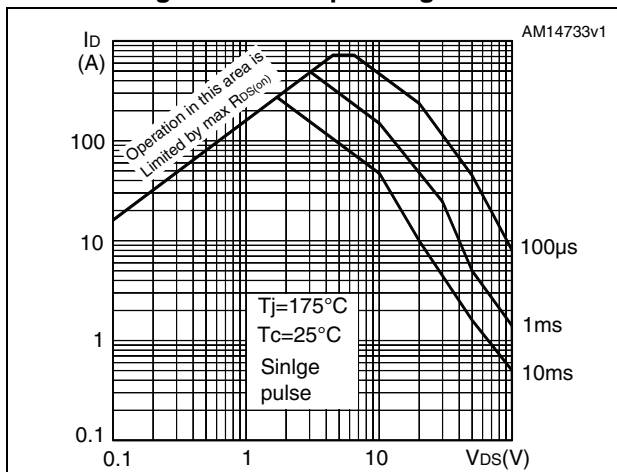


Figure 3. Thermal impedance

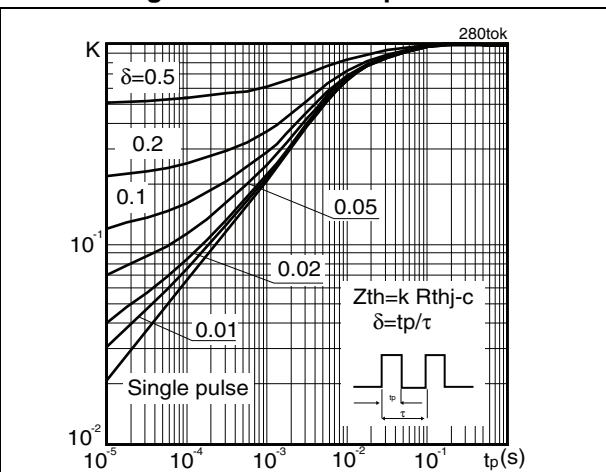


Figure 4. Output characteristics

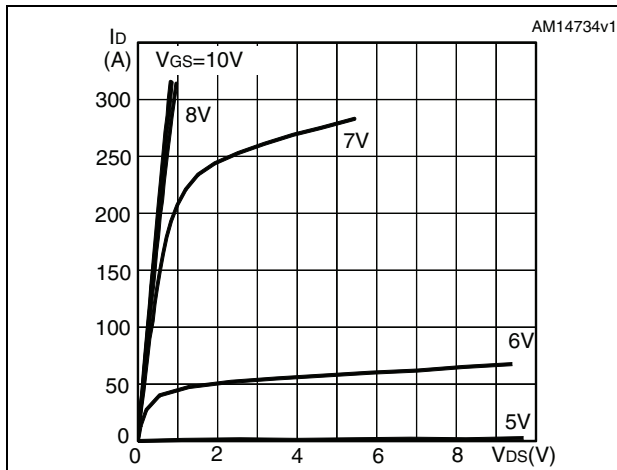


Figure 5. Transfer characteristics

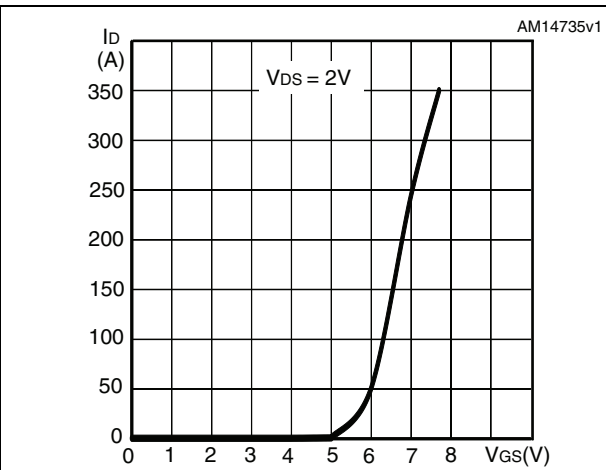


Figure 6. Gate charge vs gate-source voltage

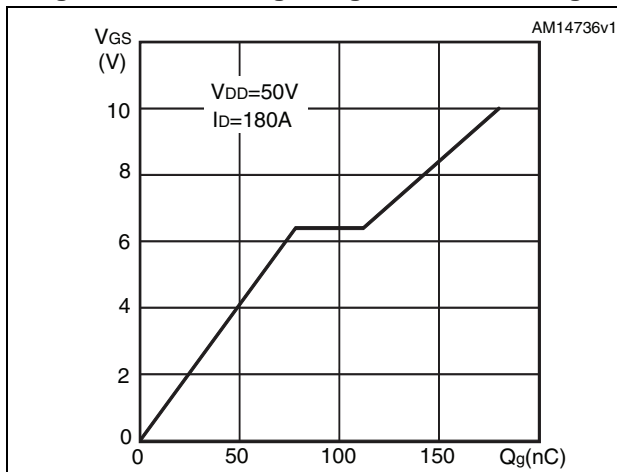


Figure 7. Static drain-source on-resistance

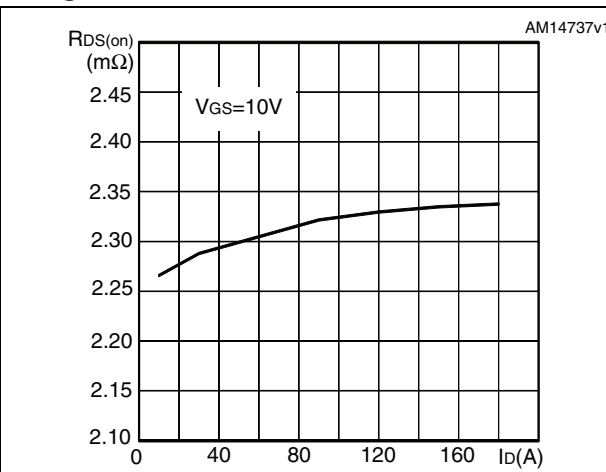


Figure 8. Capacitance variations

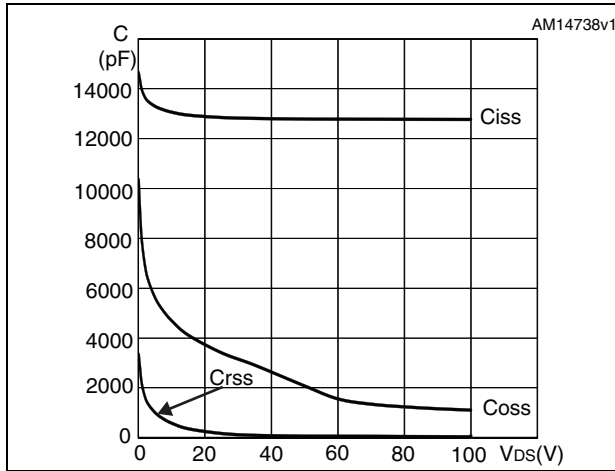


Figure 9. Source-drain diode forward characteristics

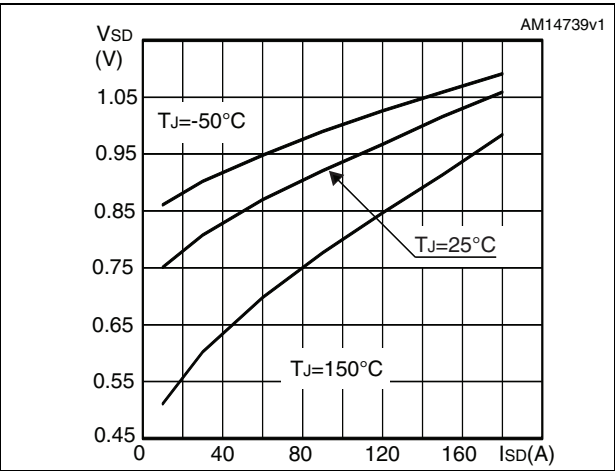


Figure 10. Normalized gate threshold voltage vs temperature

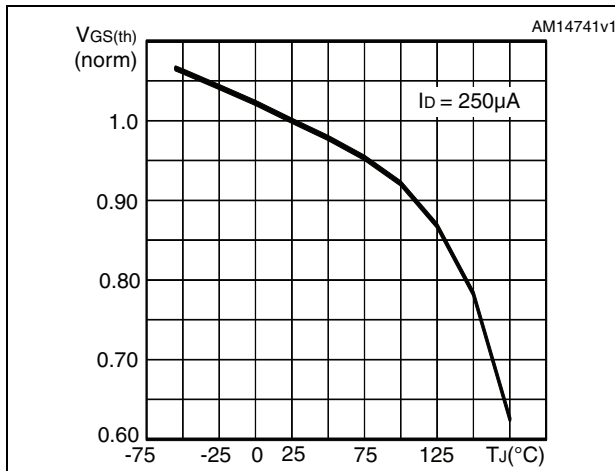


Figure 11. Normalized on-resistance vs temperature

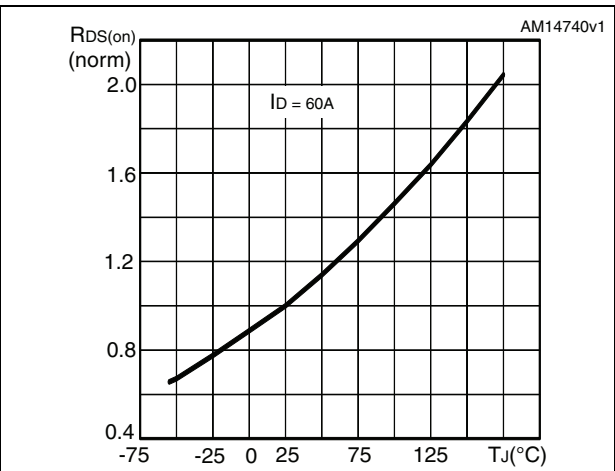
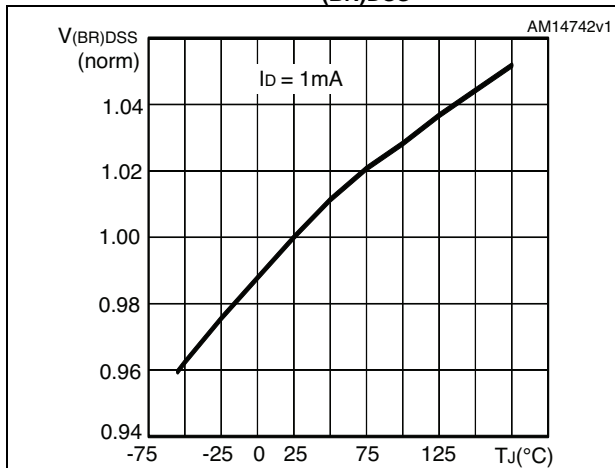


Figure 12. Normalized  $V_{(BR)DSS}$  vs temperature



### 3 Test circuits

Figure 13. Switching times test circuit for resistive load



Figure 14. Gate charge test circuit

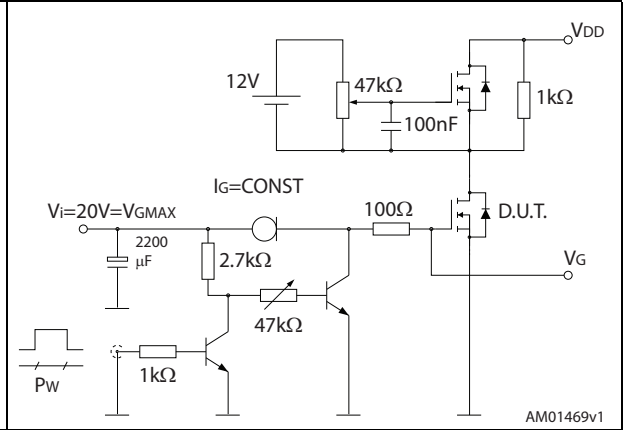


Figure 15. Test circuit for inductive load switching and diode recovery times

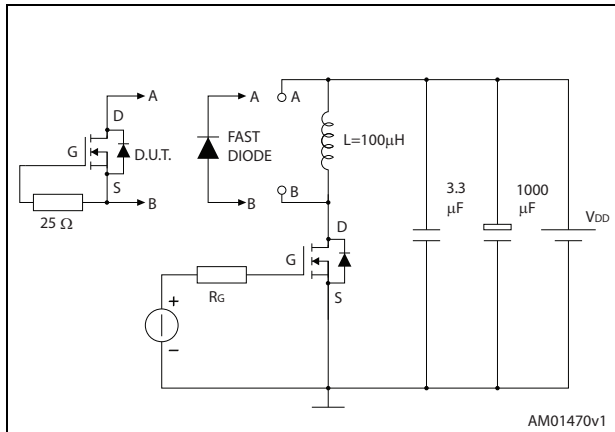


Figure 16. Unclamped inductive load test circuit

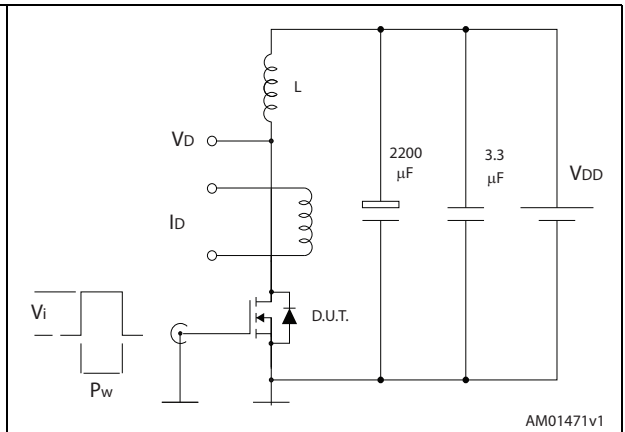


Figure 17. Unclamped inductive waveform

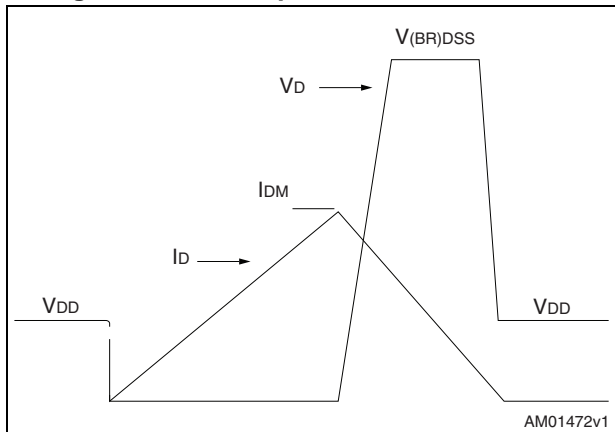
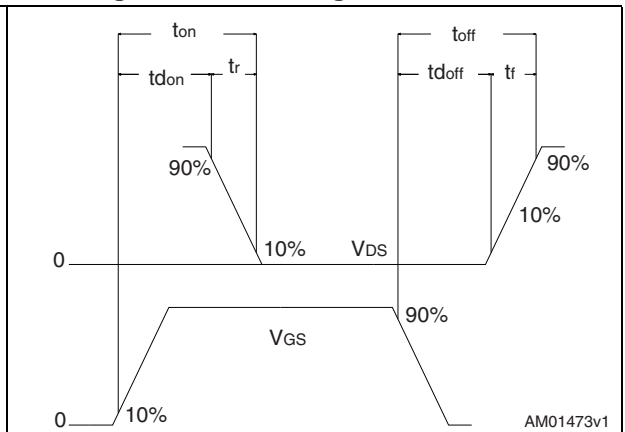


Figure 18. Switching time waveform

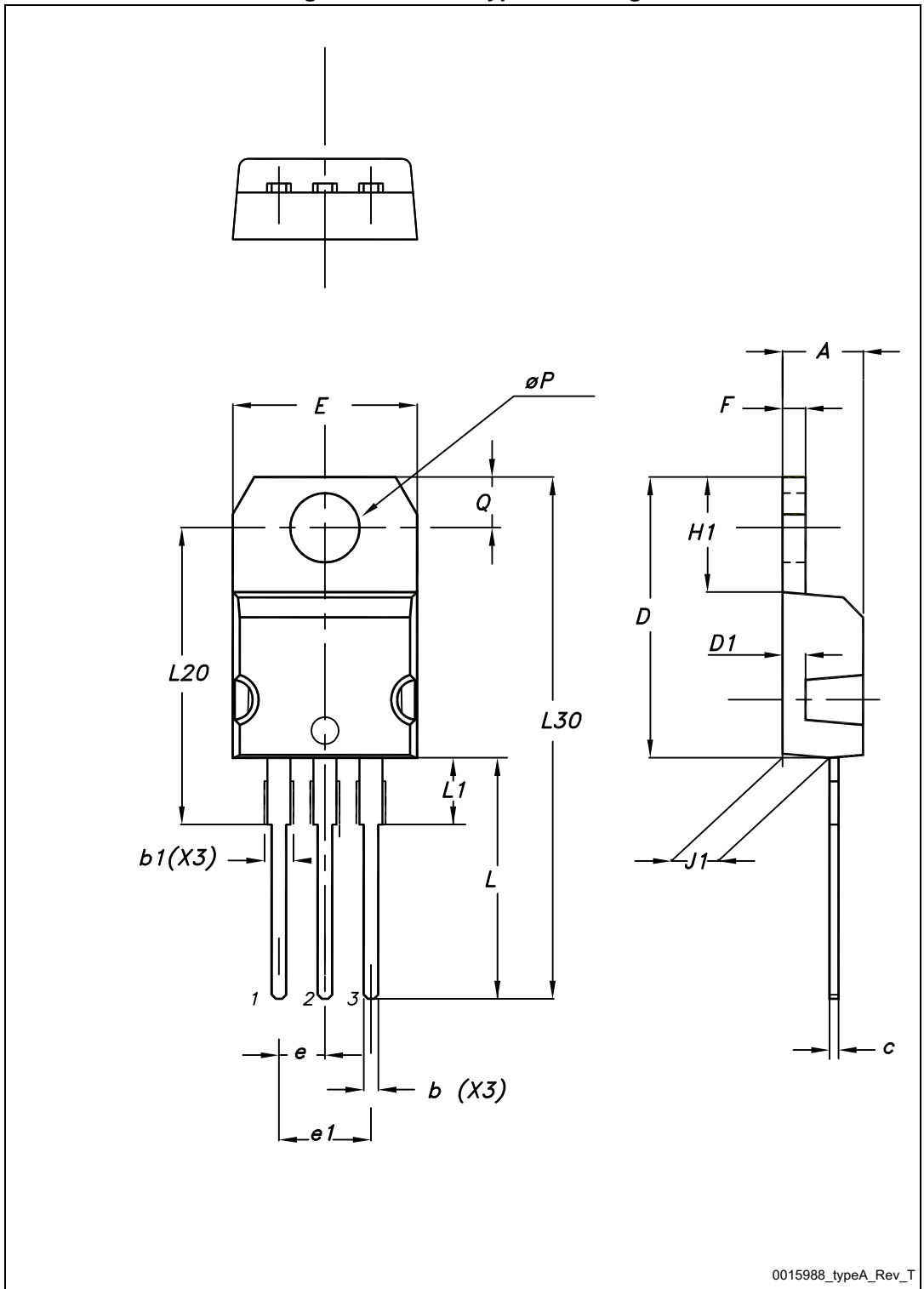




## 4 Package mechanical data

In order to meet environmental requirements, ST offers these devices in different grades of ECOPACK<sup>®</sup> packages, depending on their level of environmental compliance. ECOPACK<sup>®</sup> specifications, grade definitions and product status are available at: [www.st.com](http://www.st.com). ECOPACK<sup>®</sup> is an ST trademark.

Figure 19. TO-220 type A drawing



0015988\_typeA\_Rev\_T

Table 8. TO-220 type A mechanical data

Dim.	mm		
	Min.	Typ.	Max.
A	4.40		4.60
b	0.61		0.88
b1	1.14		1.70
c	0.48		0.70
D	15.25		15.75
D1		1.27	
E	10		10.40
e	2.40		2.70
e1	4.95		5.15
F	1.23		1.32
H1	6.20		6.60
J1	2.40		2.72
L	13		14
L1	3.50		3.93
L20		16.40	
L30		28.90	
ØP	3.75		3.85
Q	2.65		2.95

## 5 Revision history

Table 9. Document revision history

Date	Revision	Changes
07-Oct-2013	1	Initial version.
27-May-2014	2	– Modified: title and <i>Features</i> in cover page – Minor text changes
12-Sep-2014	3	– Modified: title, features and description in cover page.

**IMPORTANT NOTICE – PLEASE READ CAREFULLY**

STMicroelectronics NV and its subsidiaries ("ST") reserve the right to make changes, corrections, enhancements, modifications, and improvements to ST products and/or to this document at any time without notice. Purchasers should obtain the latest relevant information on ST products before placing orders. ST products are sold pursuant to ST's terms and conditions of sale in place at the time of order acknowledgement.

Purchasers are solely responsible for the choice, selection, and use of ST products and ST assumes no liability for application assistance or the design of Purchasers' products.

No license, express or implied, to any intellectual property right is granted by ST herein.

Resale of ST products with provisions different from the information set forth herein shall void any warranty granted by ST for such product.

ST and the ST logo are trademarks of ST. All other product or service names are the property of their respective owners.

Information in this document supersedes and replaces information previously supplied in any prior versions of this document.

© 2014 STMicroelectronics – All rights reserved