

# MechaTronix in LED

## LPF67A68 Pin Fin LED Cooler $\phi$ 67mm



### Features & Benefits

- For spot and downlight designs from 1,100 to 3,300 lumen
- Thermal resistance Rth 2.1°C/W
- Diameter 67mm - Height 68mm  
Other heights on request
- Standard base thickness 8 mm  
Other base thicknesses on request
- Easy base plate customisation with mounting holes, cable guidance, reflector mounting options,...
- Better performance under tilted positions compared to extruded LED heat sinks
- Cable guidance side slot
- Forged from highly conductive aluminum with 83 round pins for maximum cooling surface
- Standard colors black anodised - clear anodised



### Order Information

#### Thermal Interface Material

Please make sure to apply a high thermal conductive material between the heat sink base and the LED engine with an applied thickness between 0.1mm and 0.2mm

Advised materials:

- Thermally Conductive Grease  
High performance, more difficult to apply and control the thickness  
Example Laird Technologies Tgrease 880
- Thermal Gap Filler Pad with electrical insulation  
Medium to high performance, easy to apply  
Example Laird Technologies Tgard 500-A1
- Phase Change Thermal Interface Material  
This material applies like a thermal pad but becomes fluid and creates a perfect wetting at the first heating cycle  
Extra high performance, easy to apply  
Example Laird Technologies TPCM 585

Not using a suitable thermal conductive material will lead to either an insufficient wetting area or a high thermal resistance between LED engine and heat sink base both immediately resulting in an extra temperature increase of the LED junction

We do not advise the use of double sided thermal tapes without using extra mounting screws to create pressure

Thermal gap filler pads and phase change pads can be pre-applied by MechaTronix with specific cutting designs

Example: LPF67A68-8-B

LPF67 **1** **2** - **3** - **4**

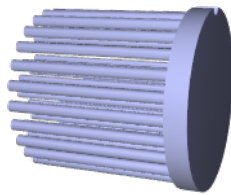
- 1** Mechanical version  
A] Solid base  
B] Center hole  $\phi$  11.5mm  
C] 3\*M3 mounting hole  
D] Center hole  $\phi$  11.5mm + 3\*M3 mounting hole  
XX] Customised
- 2** Height (pins+base) (mm)  
68 or customised
- 3** Base thickness (mm)  
8 or customised
- 4** Anodising color  
B – Black  
C – Clear  
customised painting colors on request

# MechaTronix in LED

## LPF67A68 Pin Fin LED Cooler ø67mm



### Product Details



| Model n°                                | LPF67A68  |
|---|-----------|
| Dimension (mm) <sup>*1</sup>            | ø67 x h68 |
| Volume (mm <sup>3</sup> )               | 64026     |
| Cooling Surface (mm <sup>2</sup> )      | 54924     |
| Weight (gr)                             | 172       |
| Thermal Resistance (°C/W) <sup>*2</sup> | 2.1       |
| Power Pd (W) <sup>*3</sup>              | 24        |
| Heat Sink Material                      | AL1070    |

\*1 3D files are available in ParaSolid, STP and IGS on request

\*2 The thermal resistance Rth is determined with a calibrated heat source of 30mm x 30mm central placed on the heat sink, Tamb 40° and an open environment.

Reference data @ heat sink to ambient temperature rise Ths-amb 50°C

The thermal resistance of a LED cooler is not a fix value and will vary with the applied dissipated power Pd

\*3 Dissipated power Pd. Reference data @ heat sink to ambient temperature rise Ths-amb 50°C

The maximal dissipated power needs to be verified in function of required case temperature Tc or junction temperature Tj and related to the estimated ambient temperature where the light fixture will be placed

Please be aware the dissipated power Pd is not the same as the electrical power Pe of a LED module

To calculate the dissipated power please use the following formula:  $Pd = Pe \times (1 - \eta_L)$

Pd - Dissipated power

Pe - Electrical power

$\eta_L$  = Light efficiency of the LED module

### Notes:

- MechaTronix reserves the right to change products or specifications without prior notice.
- Mentioned models are an extraction of full product range.
- For specific mechanical adaptations please contact MechaTronix.

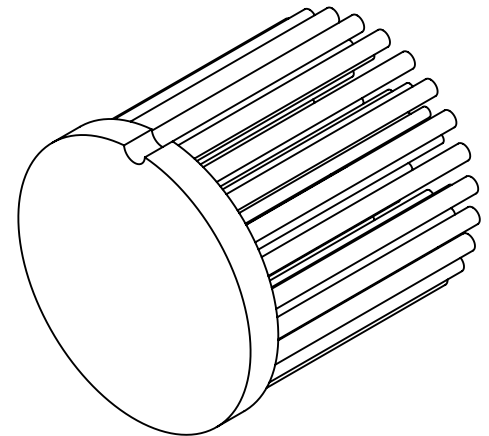
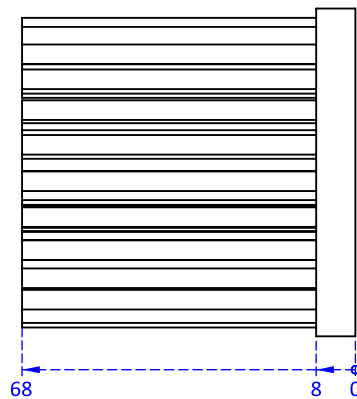
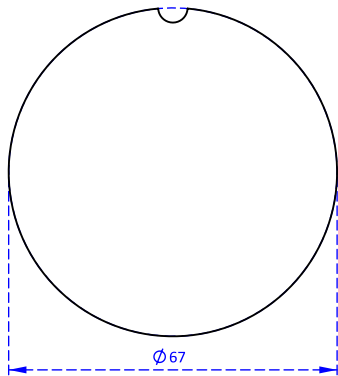
# MechaTronix in LED

## LPF67A68 Pin Fin LED Cooler $\phi 67\text{mm}$



### Drawings & Dimensions

Example: LPF67A68-8



**A** Mechanical version

Solid base



**B** Mechanical version

Center hole  $\phi 11.5\text{mm}$



**C** Mechanical version

3\*M3 mounting hole



**D** Mechanical version

Center hole  $\phi 11.5\text{mm}$  + 3\*M3 mounting hole

Mechanical version A is the standard model and is kept in stock for fast sample delivery or adaptation to your needs  
 Afterwork on this stock model will be done by CNC what results in non-anodised holes and areas - average lead time for afterwork 2 weeks  
 Mechanical versions B/C/D are for illustration only to show possible mechanical adaptations and are not related to any specific brand or model outline design and mounting pattern - MOQ for these models is 1000pcs from production with lead time 6 weeks  
 Please see also the standard available brand specific LED Pin Fin heat sinks under the related brands

### Examples of customised pin fin heat sinks:



# MechaTronix in LED

## LPF67A68 Pin Fin LED Cooler ø67mm

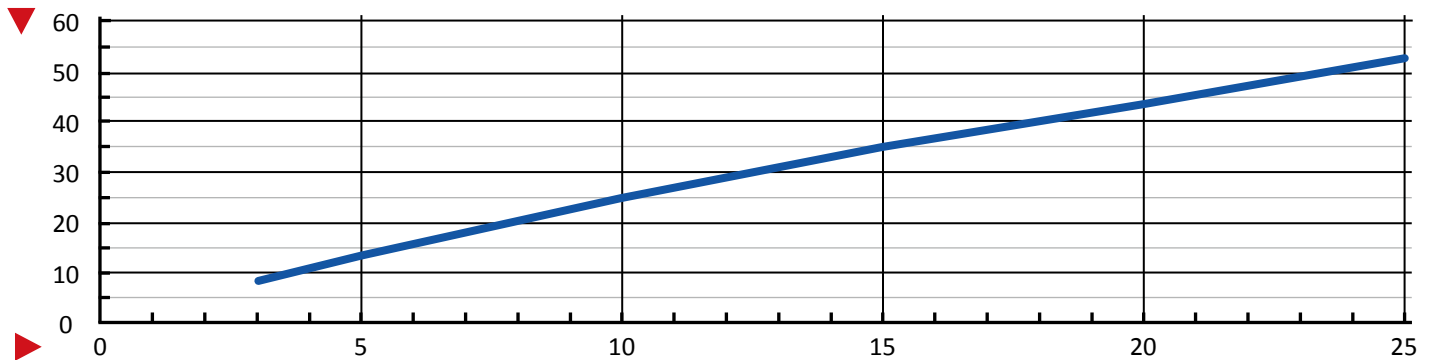


### Thermal Data

| $P_d = P_e \times (1 - \eta_L)$ |    |                            | LED Light efficiency, $\eta_L$ (%) |       |       | Heat sink to ambient thermal resistance $R_{hs-amb}$ (°C/W) | Heat sink to ambient temperature rise $T_{hs-amb}$ (°C) |
|---------------------------------|----|----------------------------|------------------------------------|-------|-------|---|---|
|                                 |    |                            | 17%                                | 20%   | 25%   |   |   |
| Dissipated Power $P_d$ (W)      | 3  | Electrical Power $P_e$ (W) | 3.61                               | 3.75  | 4.0   | 3.0   | 9   |
|                                 | 5  |                            | 6.02                               | 6.25  | 6.67  | 2.8   | 14  |
|                                 | 10 |                            | 12.04                              | 12.5  | 13.33 | 2.5   | 25  |
|                                 | 15 |                            | 18.07                              | 18.75 | 20.0  | 2.3   | 35  |
|                                 | 20 |                            | 24.10                              | 25.0  | 26.67 | 2.2   | 44  |
|                                 | 25 |                            | 30.12                              | 31.25 | 33.33 | 2.1   | 53  |

Heat sink to ambient temperature rise  $T_{hs-amb}$  (°C)

— LPF67A68



Dissipated Power  $P_d$ (W)